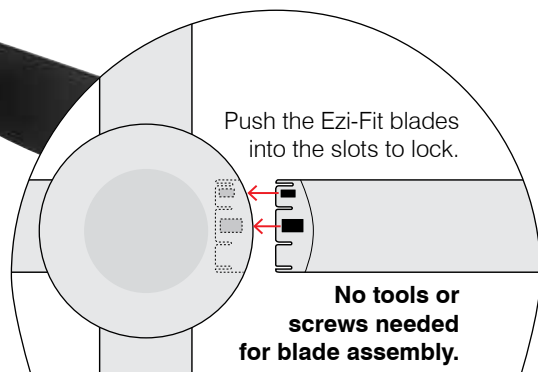
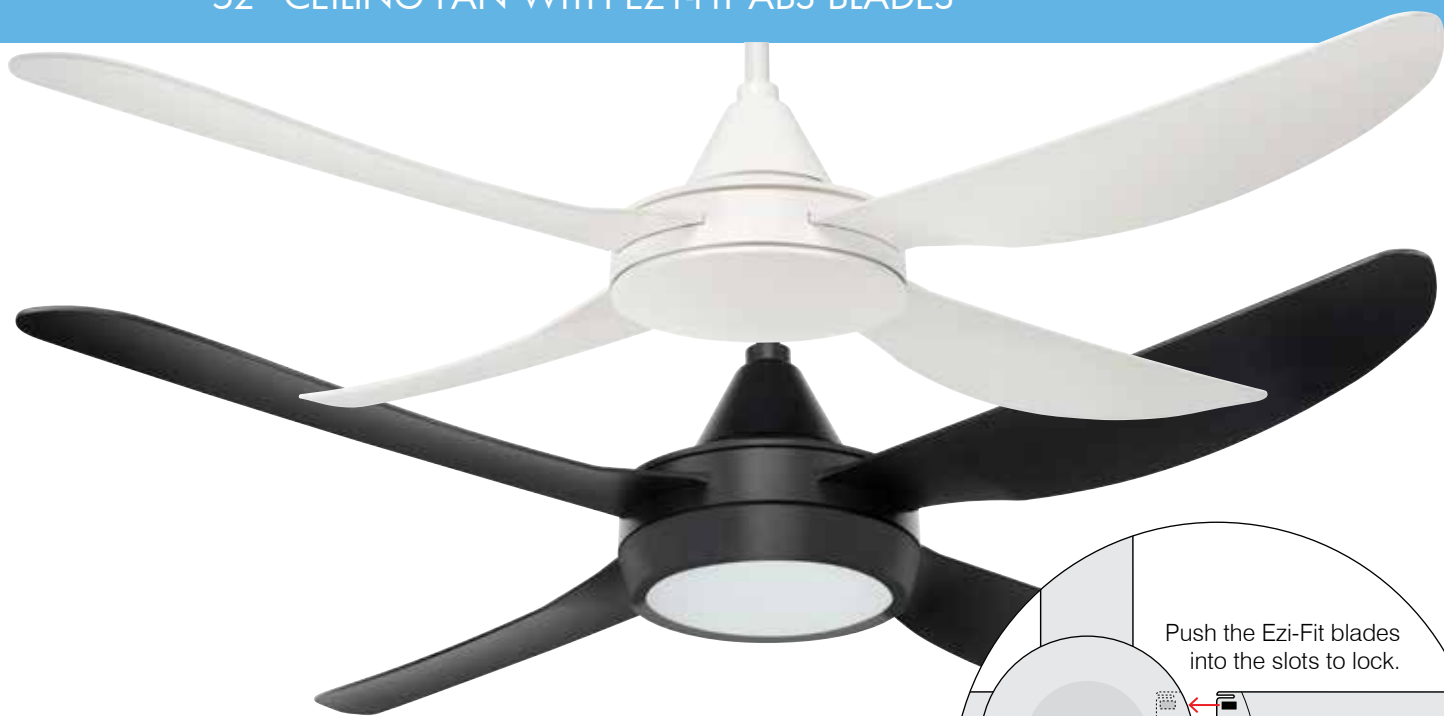


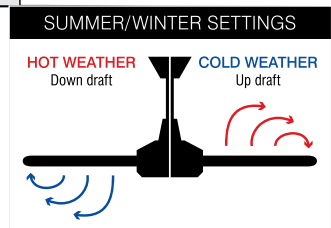


# VECTOR

## 52" CEILING FAN WITH EZY-FIT ABS BLADES



|       |     |               |                         |  |                          |   |                                   |         |  |
|-------|-----|---------------|-------------------------|--|--------------------------|---|-----------------------------------|---------|--|
| 240V  | 50W | 20W<br>1000lm | 4200°K<br>COOL<br>WHITE |  | CORROSION<br><b>FREE</b> | UV STABLE<br><b>ABS</b><br>BODY &<br>CANOPY | UV STABLE<br><b>ABS</b><br>BLADES | 15° Max |  |
| MOTOR |     | LIGHT         |                         |  |                          |   |                                   |         |  |



### Ezy-Fit blades reduce fan assembly and installation time

- Size: 52" (1300mm)
- Motor: 50W AC Motor
- Construction: Durable ABS Plastic Body and Canopy
- Blades: 4 x Ezi-Fit ABS Plastic Blades for quick installation
- Blade Pitch: 14 degree (effective)
- Ceiling Rake: 15 degree max
- Light: 20W 1000 lumen 4000K LED Array
- Control: Wall (3-speed) control
- Warranty: 3 year In-Home + 3 year replacement.

Brilliant's All-Seasons technology for use all year round. Can be installed indoors or enclosed alfresco area not exposed to the weather. See installation conditions on website for full details.



Watch our demonstration video here

| SPEED         | POWER | RPM | AIRFLOW                 |
|---------------|-------|-----|-------------------------|
| <b>HIGH</b>   | 50W   | 214 | 10804m <sup>3</sup> /hr |
| <b>MEDIUM</b> | 26W   | 155 | 7365m <sup>3</sup> /hr  |
| <b>LOW</b>    | 15W   | 111 | 5049m <sup>3</sup> /hr  |

| Product        | Code            | Colours            |                    |
|----------------|-----------------|--------------------|--------------------|
| Fan only       | <b>20167/..</b> | <b>05</b><br>WHITE | <b>06</b><br>BLACK |
| Fan with Light | <b>20168/..</b> | <b>05</b><br>WHITE | <b>06</b><br>BLACK |

\* Corrosion free does not apply to the metal downrod.  
Patent pending Ezi-Fit blade design (Patent 2018201157)  
This product is covered by an Australian Registered Design no. 201717340

