

The BS-633A is wall mount speaker made of ABS resin and can be hooked or mounted directly on the wall. The push-in type input terminal makes cable connections easy and allows bridge wiring. The input impedance can be easily changed by changing the tap position of the transformer from the rear side of the speaker.

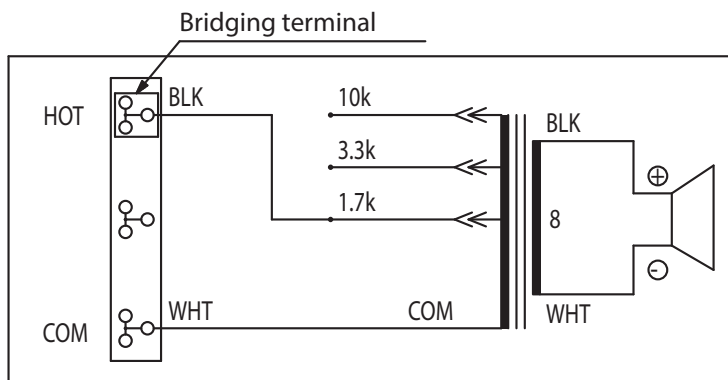
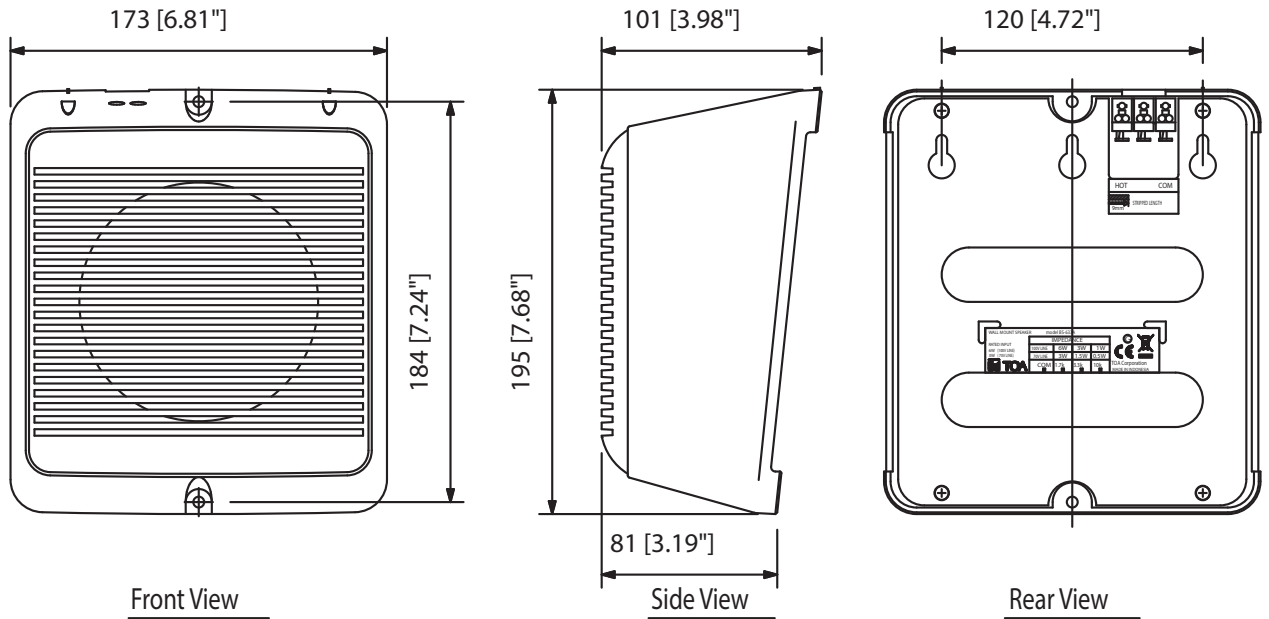


Article number:BS-633A
Alternative products: BS-633AT

Specifications

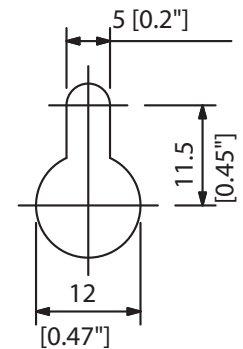
Sensitivity (1#V, 1#m)	91 dB
Frequency response	120 Hz - 15 kHz (peak -20 dB)
Connection	Push-in connector (bridging terminal)
Rated input (high impedance)	6 W (100 V), 3 W (70 V)
Tappings	100 V line : 1.7 k Ω (6 W), 3.3 k Ω (3 W), 10k Ω (1 W) 70 V line: 1.7 k Ω (3 W), 3.3 k Ω (1.5 W), 10k Ω (0.5 W)
Speaker component	12 cm cone-type
Finish	ABS resin, off-white (RAL 9010 or equivalent),
Operating temperature	- 10 °C to +50 °C (14 °F to 122 °F)

Appearance



(Transformer connection when the speaker is supplied from the factory)

(Note) Use transformer terminals when changing input impedance.



Fixing Hole
(scale: 1/1)

UNIT:mm

SCALE:1/4