

E.I.C.

Electrical Importing Company

Metal Enclosures - Detailed Catalogue

"Available when you want them"



Floor Standing Metal Enclosures



Control
Desks



Terminal
Boxes

Stainless Steel Wall Mounting Enclosures



Modular Systems



Powder Coated & Stainless Steel
Wall Mounting Enclosures

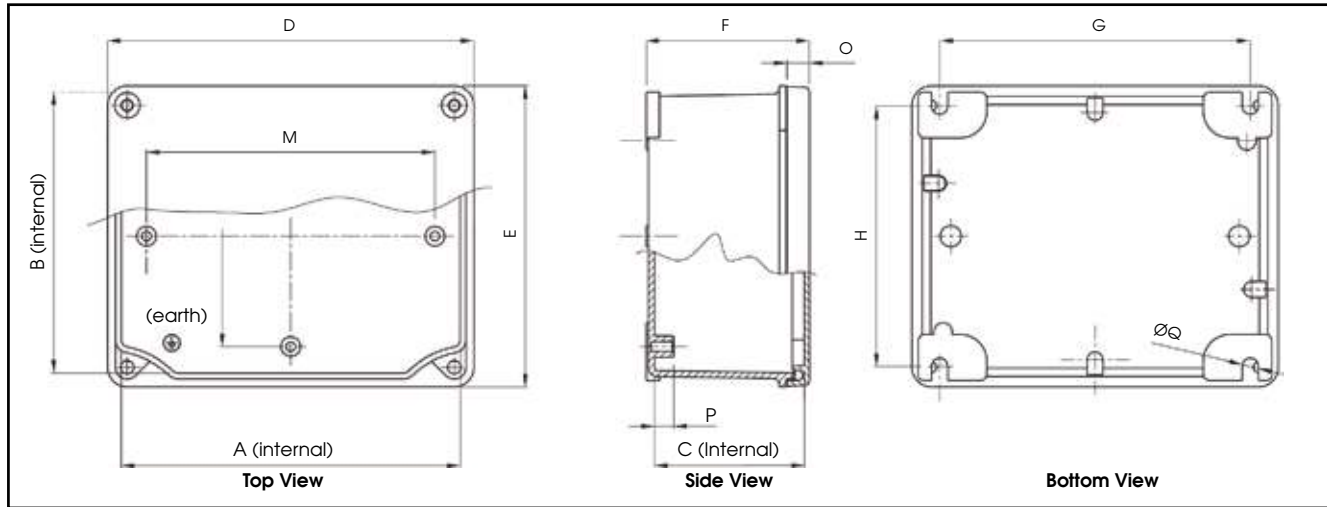


New Zealand
Owned and
Operated



Website: www.eic.nz
Email: eic@eic.nz
Phone: (09) 634 2978

Die Cast Aluminium Alloy Junction Boxes - IP66^o



Internal Dimensions			External Dimensions			Other Dimensions							PART NUMBER	WEIGHT (KG)
L	H	D	L	H	D	Wall Mounting			Plate Mounting			Lid		
A	B	C	D	E	F	G	H	Q	M	N	P	O		
91	91	54	101	101	58	86	80	6.1	-	-	7.5	8.3	CTA919154	0.28
128	103	57	138.5	113.5	61.5	117.5	101	6.1	109	-	7.3	8.5	CTA121057	0.42
155	130	58	165.5	140.5	63.5	144	125	6.1	135	110	7.2	8.6	CTA151358	0.58
178	156	75	189	167	80	168	153	6.1	140	120	7.1	8.7	CTA171575	0.78
239	202	85	252	215	91	221	194	8.7	208	168	8.7	9	CTA232085	1.44
294	244	114	307	257	120.5	275	236	8.7	256	210	8.5	9.2	CTA292411	2.30
392	298	144	406.5	312.5	151	367	283	8.7	320	230	8.5	9.6	CTA392914^o	4.20

Notes: ^oCTA392914 rating is IP55, all other sizes IP66

Galvanised-Steel Mounting Plates

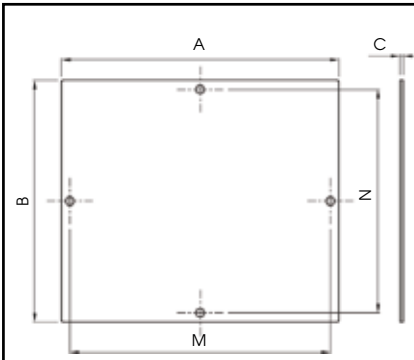


PLATE SIZE			PART NUMBER	TRADE PRICE
L	H	D		
118.5	78.5	1.5	CTAP1210	\$10.00
144	119	1.5	CTAP1513	\$11.35
149	130	1.5	CTAP1715	\$14.40
219	179	1.5	CTAP2320	\$18.81
267	221	1.5	CTAP2924	\$26.10
331	241	2	CTAP3929	\$38.30

Order mounting plate separately

Special Features

- Surface finished with epoxy polyester coating
- Earthing facilities on base and lid. Lid fitted with stainless steel screws.
- Expanded EPDM gasket on lid forms a continuous seal










Weather Proof Junction & Utility Boxes



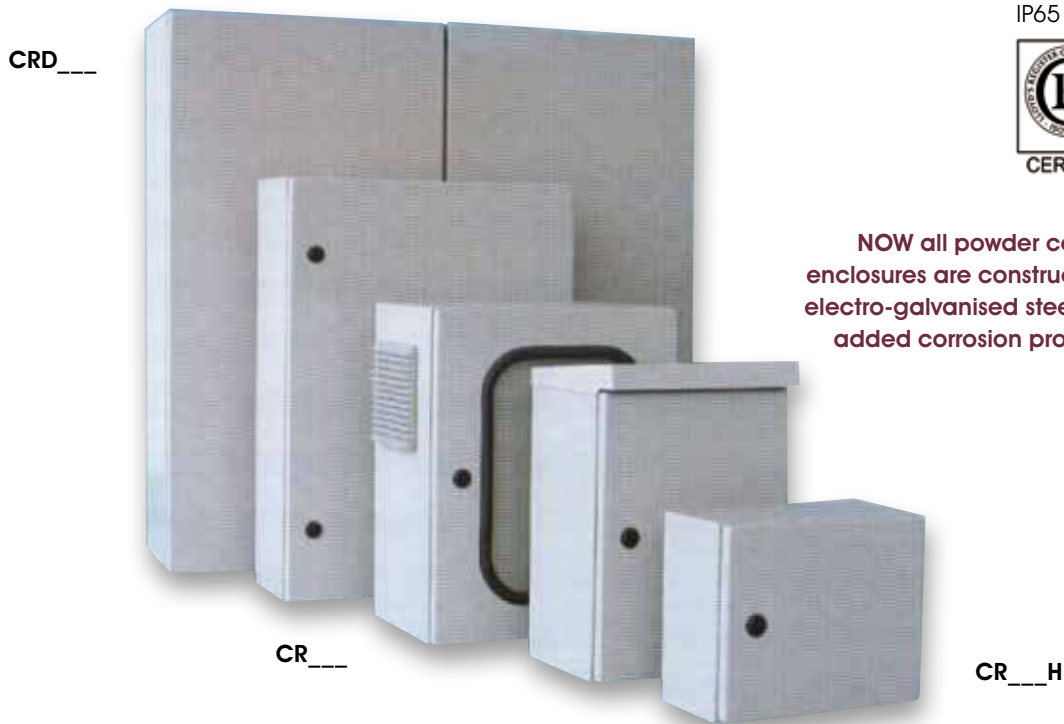
ATEX versions also available
Zones 2 and 22 - Refer to EIC



Index

	Aluminium Alloy Junction Boxes	2	
	CR Range of Enclosures	4	
	CR Ordering Information	5	
	CR Specifications for Horizontal	6	
	CR Standard Specifications	7	
	CR Standard Option & Specifications	8	
	CRD Specifications	9	
	CR Enclosure Accessories	10	
		CRX & CRXX Range of Enclosures	11
		CRX & CRXX Specifications	12
CRX & CRXX Ordering Information		13	
	Vent/Filter Unit	14	
	Cooling Fans	15	
	Frame Kit Selection	16	
	Frame Kit Specifications & Options	17	
	Terminal Boxes CT, CTX & CTXX - Accessories	18	
	Terminal Boxes CT, CTX, CTXX	19	
	Operator Control Stations	20	
	Operator Control Desks	21	
	CM Specification 800mm Wide	22	
	CM Floor Standing Enclosures	23	
	CM Specifications 1000mm Wide	24	
	CM Specifications 1200mm Wide	25	
	ES Free Standing Enclosure	26	
	MS & ES Accessories	27	
	MS Specifications 600/800mm Wide	28	
	MS Range of Enclosure	29	
	MS Specifications 1000mm Wide	30	
	MS Specifications 1200mm Wide	31	

Wall Mounting Powder Coated Metal Enclosures



IP65 (IEC 529)



NOW all powder coated enclosures are constructed using electro-galvanised steel sheet for added corrosion protection.

Optional Items



Frame Kit



Transparent door
Inner door
Fan/filter ventilation



Canopy



Rain hood



Filter and Fan



Plinth (100mm/200mmH)



Quarter Turn Lock
Padlockable Type



Wing Handle



Metal Cam Lock
with Keys

Features:

- Polyurethane one piece gasket on door provides a continuous seal
- Surface finished with polyester powder coating texture, CVS beige colour RAL7032
- Galvanised mounting plate and wall mounting brackets
- 4 welded studs for fixing mounting plate
- Concealed hinges provide 130 degree door opening
- Earthing facilities on door, body and mounting plate
- Double folded gutter at door frame increases rigidity and prevents water from entering while door is open

Wall Mounting Powder Coated Metal Enclosures

CR and CRD enclosures come complete with mounting (gear) plate, gland plates (except for smallest enclosure), standard door locks and wall mounting brackets.

ORDERING INFORMATION

STANDARD VERTICAL TYPE IP65

COMPLETE ENCLOSURES			ACCESSORIES (add to enclosures)					
WITH STANDARD DOOR	ENCLOSURE SIZE HxWxD mm	WITH TRANSPARENT DOOR	INNER DOOR	CANOPY	PLINTH	DISTRIBUTION FRAME	GLAND PLATES	DOOR LOCKS
CR252010	250 x 200 x 100							1
CR252015	250 x 200 x 150							1
CR302515	300 x 250 x 150			CP2515			A x 1	1
CR303015	300 x 300 x 150	CR303015PD		CP3015			A x 1	1
CR303020	300 x 300 x 200	CR303020PD		CP3020			A x 1	1
CR403015	400 x 300 x 150	CR403015PD		CP3015			A x 1	1
CR403020	400 x 300 x 200	CR403020PD	ID4030/20	CP3020			A x 1	1
CR404020	400 x 400 x 200	CR404020PD	ID4040/20	CP4020			B x 1	1
CR503028*	500 x 300 x 280	CR503028PD					A x 1	1
CR504015	500 x 400 x 150	CR504015PD		CP4015			A x 1	1
CR504020	500 x 400 x 200	CR504020PD	ID5040/20	CP4020		DB504020F	B x 1	1
CR504025	500 x 400 x 250	CR504025PD	ID5040/25	CP4025		DB504025F	B x 1	1
CR504035*	500 x 400 x 350	CR504035PD	ID5040/35	CP5040			B x 1	1
CR505020	500 x 500 x 200	CR505020PD	ID5050/20	CP5020		DB505020F	B x 1	1
CR505025	500 x 500 x 250	CR505025PD	ID5050/25	CP5025		DB505025F	C x 1	1
CR604020	600 x 400 x 200	CR604020PD	ID6040/20	CP4020		DB604020F	B x 2	2
CR604025	600 x 400 x 250	CR604025PD	ID6040/25	CP4025		DB604025F	B x 2	2
CR605020	600 x 500 x 200	CR605020PD	ID6050/20	CP5020		DB605020F	B x 2	2
CR605025	600 x 500 x 250	CR605025PD	ID6050/25	CP5025		DB605025F	C x 2	2
CR605035*	600 x 500 x 350	CR605035PD	ID6050/35				C x 2	2
CR606020	600 x 600 x 200	CR606020PD	ID6060/20	CP6020		DB606020F	C x 2	2
CR705025	700 x 500 x 250	CR705025PD	ID7050/25	CP5025		DB705025F	C x 2	2
CR806020	800 x 600 x 200	CR806020PD	ID8060/20	CP6020		DB806020F	C x 2	2
CR806025	800 x 600 x 250	CR806025PD	ID8060/25	CP6025		DB806025F	C x 2	2
CR806035*	800 x 600 x 350	CR806035PD	ID8060/35				C x 2	2
CR808025	800 x 800 x 250	CR808025PD	ID8080/25	CP8025		DB808025F	C x 4	2
CR1006030	1000 x 600 x 300	CR1006030PD	ID10060/30	CP6030	PL63/100	DB1006030F	C x 2	2
CR1006040*	1000 x 600 x 400	CR1006040PD	ID10060/40	CP6040	PL64/100		C x 2	2
CR1008030	1000 x 800 x 300	CR1008030PD	ID10080/30	CP8030	PL83/100	DB1008030F	C x 4	2
CR1008040*	1000 x 800 x 400	CR1008040PD	ID10080/40	CP8040	PL84/100		C x 4	2
CR1208030	1200 x 800 x 300	CR1208030PD	ID12080/30	CP8030	PL83/100		C x 4	2
CR1208040*	1200 x 800 x 400	CR1208040PD	ID12080/40	CP8040	PL84/100		C x 4	2

HORIZONTAL TYPE IP65

CR403015H	300 x 400 x 150	CR403015HPD		CP4015			A x 1	1
CR403020H	300 x 400 x 200	CR403020HPD		CP4020			B x 1	1
CR504020H	400 x 500 x 200	CR504020HPD		CP5020		DB504020HF	B x 1	1
CR604015H	400 x 600 x 150	CR604015HPD		CP6015			A x 2	1
CR604020H	400 x 600 x 200	CR604020HPD		CP6020		DB604020HF	B x 2	1
CR605025H	500 x 600 x 250	CR605025HPD		CP6025		DB605025HF	C x 2	2

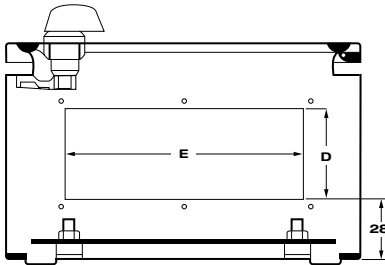
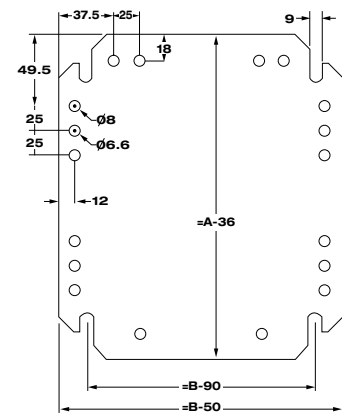
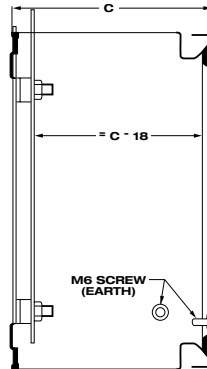
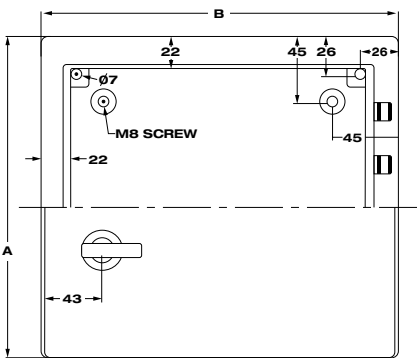
TWO-DOOR TYPE IP55

CRD8010030	800 x 1000 x 300			CPM10030	PL103/100		C x 2	1
CRD10010030	1000 x 1000 x 300			CPM10030	PL103/100		C x 2	1
CRD12010030	1200 x 1000 x 300			CPM10030	PL103/100		C x 2	1

* Extra deep enclosures to suit VSDs and soft starters.

CR HORIZONTAL TYPE CR _____ H

COMPLETE PRODUCT SPECIFICATIONS & DIMENSIONS - IP65



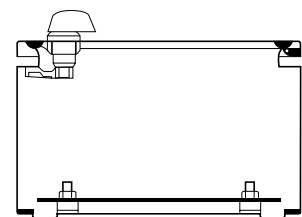
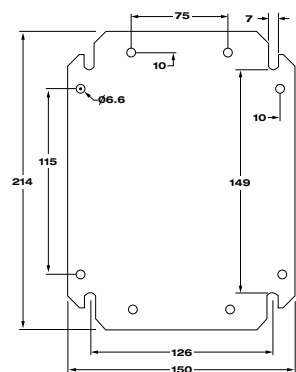
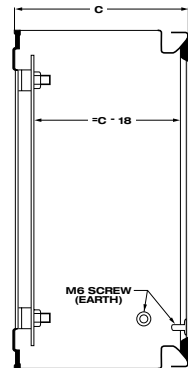
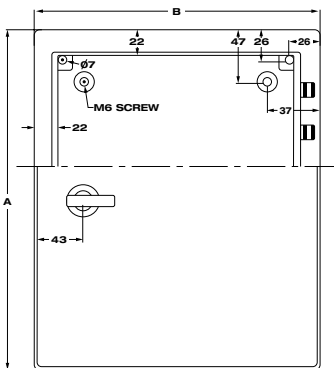
PART NAME	MATERIAL	FINISH
Body	1.4mm E-G	RAL 7032 (Polyester powder coated)
Door	1.4/2.0mm E-G	RAL 7032 (Polyester powder coated)
Mounting Plate	1.4/2.0mm E-G	Rainbow zinc plated
Gland Plate	1.4mm E-G	RAL 7032 (Polyester powder coated)
Wall Bracket	2.0/3.0mm E-G	Zinc plated

E-G – Electro-Galvanised

PART NO.	A	B	C	D	E	GLAND OPENINGS	NO. OF LOCKS	NO. OF WALL BRACKETS*	WEIGHT (KG)
CR403015H	300	400	153	60	174	1 Bottom	1	4	8.0
CR403020H	300	400	203	60	174	1 Bottom	1	4	8.4
CR504020H	400	500	203	88	259	1 Bottom	1	4	13.0
CR604015H	400	600	153	60	174	1 Top + 1 Bottom	1	4	14.2
CR604020H	400	600	203	88	259	1 Top + 1 Bottom	1	4	15.2
CR605025H	500	600	253	115	310	1 Top + 1 Bottom	2	4	21.0

STANDARD CR VERTICAL TYPE (small)

COMPLETE PRODUCT SPECIFICATIONS - IP65



PART NAME	MATERIAL	FINISH
Body	1.4mm E-G	RAL 7032 (Polyester powder coated)
Cover	1.4mm E-G	RAL 7032 (Polyester powder coated)
Mounting Plate	1.4mm E-G	Zinc plated

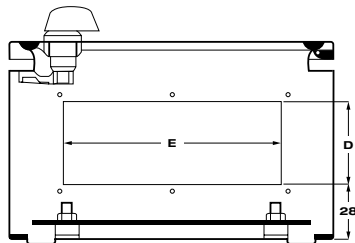
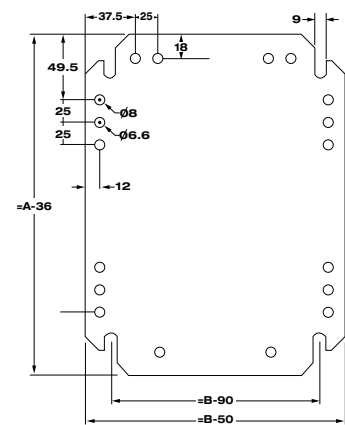
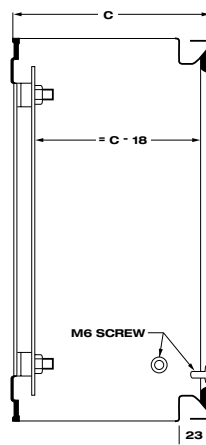
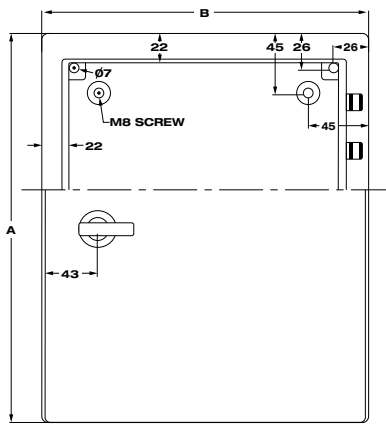
E-G – Electro-Galvanised

PART NO.	A	B	C	GLAND OPENINGS	NO. OF LOCKS	NO. OF WALL BRACKETS	WEIGHT (KG)
CR252010	250	200	103	0	1	0	3.0
CR252015	250	200	153	0	1	0	3.5

Note * Wall mounting brackets are supplied as shown with CR Enclosures

STANDARD VERTICAL TYPE CR

COMPLETE PRODUCT SPECIFICATIONS & DIMENSIONS - IP65



PART NAME	MATERIAL	FINISH
Body	1.4mm E-G	RAL 7032 (Polyester powder coated)
Door	1.4/2.0mm E-G	RAL 7032 (Polyester powder coated)
Mounting Plate	1.4/2.0mm E-G	Rainbow zinc plated
Gland Plate	1.4mm E-G	RAL 7032 (Polyester powder coated)
Wall Bracket	2.0/3.0mm E-G	Zinc plated

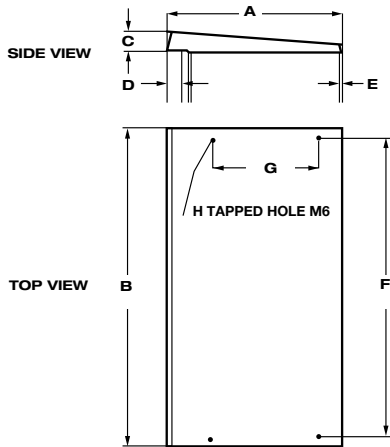
E-G – Electro-Galvanised

PART NO.	A	B	C	D	E	GLAND OPENINGS	NO. OF LOCKS	NO. OF WALL * MOUNTING BRACKETS	WEIGHT (KG)
CR302515	300	250	153	60	174	1 Bottom	1	4	5.4
CR303015	300	300	153	60	174	1 Bottom	1	4	6.0
CR303020	300	300	203	60	174	1 Bottom	1	4	6.8
CR403015	400	300	153	60	174	1 Bottom	1	4	8.0
CR403020	400	300	203	60	174	1 Bottom	1	4	8.4
CR404020	400	400	203	88	259	1 Bottom	1	4	10.6
CR503028	500	300	283	60	174	1 Bottom	1	4	12.0
CR504015	500	400	153	60	174	1 Bottom	1	4	11.8
CR504020	500	400	203	88	259	1 Bottom	1	4	13.0
CR504025	500	400	253	88	259	1 Bottom	1	4	14.0
CR504035	500	400	355	88	259	1 Bottom	1	4	16.0
CR505020	500	500	203	88	259	1 Bottom	1	4	15.2
CR505025	500	500	253	115	310	1 Bottom	1	4	16.6
CR604020	600	400	203	88	259	1 Top + 1 Bottom	2	4	15.2
CR604025	600	400	253	88	259	1 Top + 1 Bottom	2	4	16.5
CR605020	600	500	203	88	259	1 Top + 1 Bottom	2	4	19.7
CR605025	600	500	253	115	310	1 Top + 1 Bottom	2	4	21.4
CR605035	600	500	353	115	310	1 Top + 1 Bottom	2	4	23.0
CR606020	600	600	203	115	310	1 Top + 1 Bottom	2	4	23.0
CR705025	700	500	253	115	310	1 Top + 1 Bottom	2	4	23.6
CR806020	800	600	203	115	310	1 Top + 1 Bottom	2	4	29.0
CR806025	800	600	253	115	310	1 Top + 1 Bottom	2	4	30.6
CR806035	800	600	353	115	310	1 Top + 1 Bottom	2	4	34.0
CR808025	800	800	253	115	310	2 Top + 2 Bottom	2	4	39.5
CR1006030	1000	600	303	115	310	1 Top + 1 Bottom	2	4	39.0
CR1006040	1000	600	403	115	310	1 Top + 1 Bottom	2	4	44.0
CR1008030	1000	800	303	115	310	2 Top + 2 Bottom	2	4	50.0
CR1008040	1000	800	403	115	310	2 Top + 2 Bottom	2	4	55.0
CR1208030	1200	800	303	115	310	2 Top + 2 Bottom	2	4	58.5
CR1208040	1200	800	403	115	310	2 Top + 2 Bottom	2	4	68.0

Note * Wall mounting brackets are supplied as shown with CR Enclosures

Options for Wall Mounting Enclosures - CR, CRX & CRXX

Canopies for CR, CRX & CRXX Enclosures

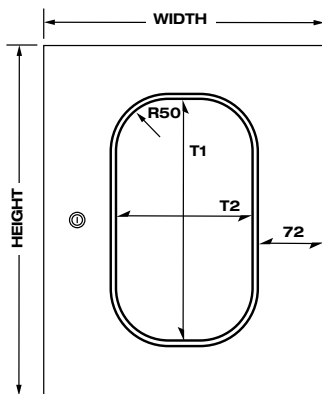


PART NO.	A DEPTH	B WIDTH	C	D	E	F	G	H
CPX2015	182	205	44	25	3	165	70	M6
CP2515	182	255	44	25	3	215	70	M6
CP3015	182	305	44	25	3	265	70	M6
CP3020	232	305	44	25	3	265	120	M6
CP4015	182	405	44	25	3	365	70	M6
CP4020	232	405	44	25	3	365	120	M6
CP4025	282	405	44	25	3	365	170	M6
CP5020	232	505	44	25	3	465	120	M6
CP5025	282	505	44	25	3	465	170	M6
CP6020	232	605	44	25	3	565	120	M6
CP6025	282	605	44	25	3	565	170	M6
CP6030	332	605	44	25	3	565	220	M6
CP8025	282	805	44	25	3	765	170	M6
CP8030	332	805	44	25	3	765	220	M6
CP8040	432	805	44	25	3	765	320	M6

Refer Page 7 for CR Cabinet Sizes
Refer Page 13 for CRX & CRXX Cabinet Sizes

Material: CP Powder Coated Steel, CPX 304 Stainless Steel
CPXX 316 Stainless Steel

Transparent Doors PD, PDX and PDXX (Doors only)

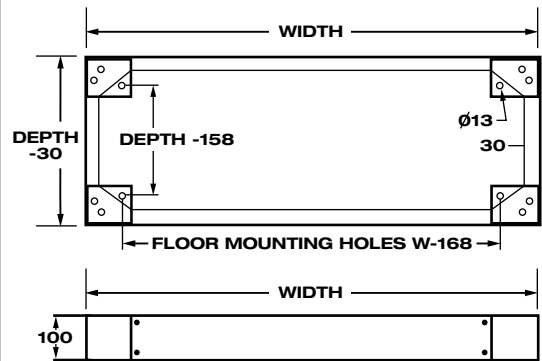


PART NO.	HEIGHT	WIDTH	T1	T2
PD3030	296	296	152	137
PD4030	396	296	252	137
PD4040	396	396	252	237
PD5040	496	396	352	237
PD5050	496	496	352	337
PD6040	596	396	452	237
PD6050	596	496	452	337
PD6060	596	596	452	437
PD7050	696	496	552	337
PD8060	796	596	652	437
PD8080	796	796	652	637
PD10060	996	596	852	437
PD10080	996	796	852	637
PD12080	1196	796	1052	637

Material: Clear Acrylic
Thickness: 4/5mm
PDX: 304 Stainless Steel
PDXX: 316 Stainless Steel

For enclosures fitted with door, add PD to the end of the Part Number (eg. CR303015PD)

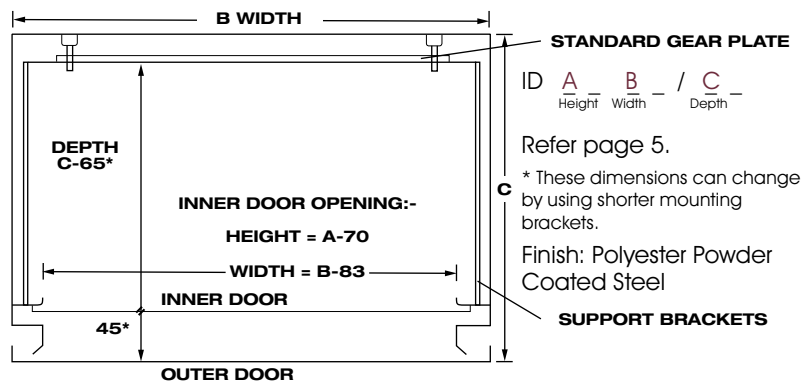
Plinths for CR Enclosures



PART NO.	WIDTH	DEPTH
PL63/100	600	300
PL83/100	800	300
PL84/100	800	400

Material: 2/3mm Electro-Galvanised
Finish: Black Polyester Powder Coated

Inner Doors for CR and CRX Enclosures



Wall Mounting Brackets



Stainless Steel Mounting Brackets (set of 4)
(not included with S/S Cabinets, purchase separately)

for CRX & CRXX Stainless Steel Enclosures

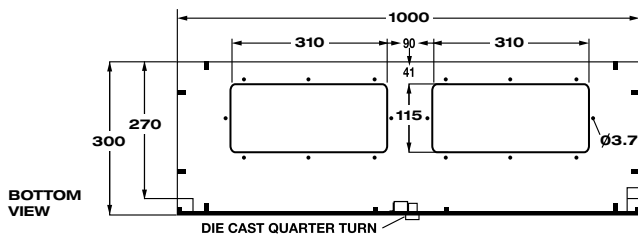
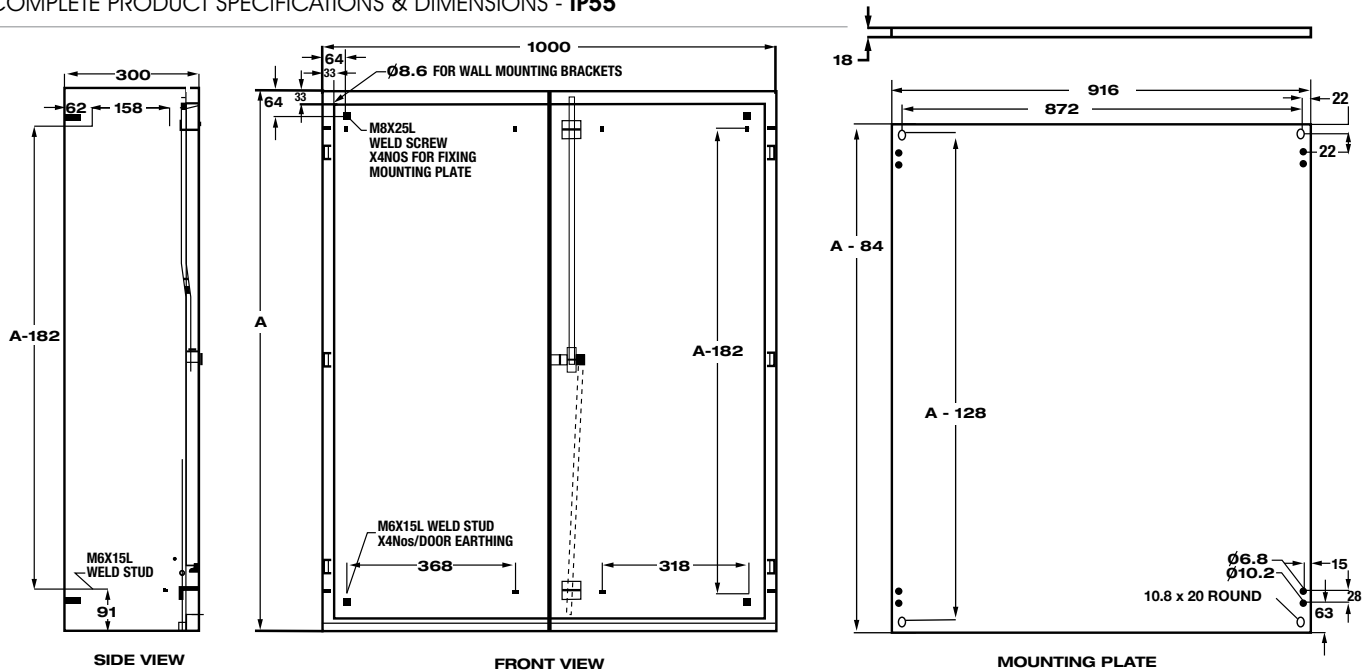
PART NO.	DESCRIPTION
CVS-SS-BRACKETS-304	SS304 for CRX Cabinets
CVS-SS-BRACKETS-316	SS316 for CRXX Cabinets
CVS-BRACKETS	Zinc Plated for CR Cabinets

Brackets for power coated are supplied with cabinets.

FOR FILTER AND FANS REFER PAGE 26 & 27

TWO-DOOR TYPE CRD

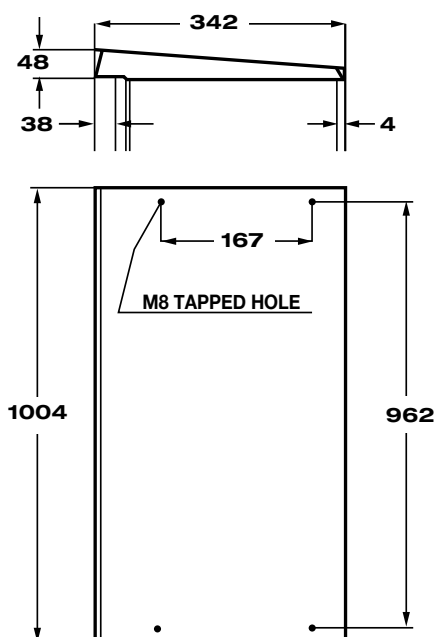
COMPLETE PRODUCT SPECIFICATIONS & DIMENSIONS - IP55



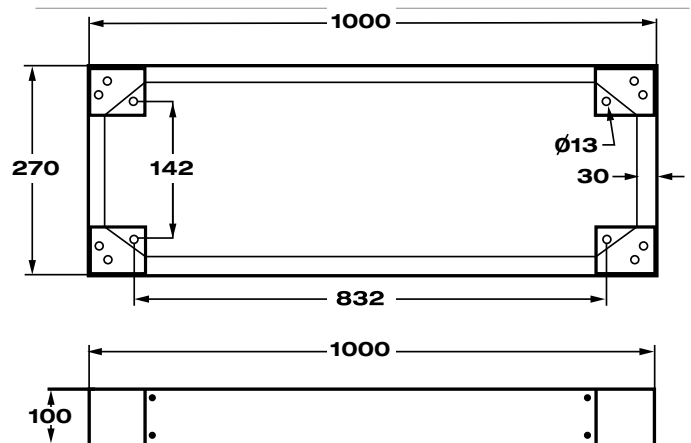
PART NAME	MATERIAL	FINISH
Body/Door	2mm E-G	RAL 7032 Polyester Coated
Gland Plate	1.5mm E-G	RAL 7032 Polyester Coated
Mounting Plate	2.5mm G.I.	Original (Galvanised)
Canopy	1.5mm E-G	RAL 7032 Polyester Coated
Plinth	2.0/3.0mm E-G	Black Polyester Coated

E-G – Electro-Galvanised

CANOPY: CPM10030







PLINTH: PL103/100



ORDERING INFORMATION

PART NO.	HIGH 'A'	WIDE	DEEP
CRD8010030	800	1000	300
CRD10010030	1000	1000	300
CRD12010030	1200	1000	300
CPM10030	Canopy		
PL103/100	Plinth		

Accessories for CR Enclosures

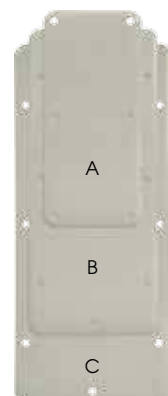
CABINET TEMPERATURE CONTROL	
 <p>ELTH17</p>	<p>Single fan</p>  <p>Sensor</p>
 <p>ELTH352</p>	<p>Dual fan</p>  <p>Sensor</p>

DESCRIPTION	PART NUMBER
OPTIONAL LOCKS FOR POWDER COATED CR ENCLOSURES	
 <p>Wing Handled Lock (Black)</p>	 <p>Wing Handled 144 Key Lock</p>
	 <p>Quarter Turn Lock Padlockable (Black)</p>
Wing Handled Lock	CVS-W200
Wing Handle 144 Key Lock	CVS-K200-144
¼ Turn Lock P/Lckble - Stnd	CVS-P200
 <p>Quarter Turn Lock Padlockable (SS316)</p>	
Suitable for CRX and CRXX	CVS-P200-316
REPLACEMENT STANDARD PLASTIC LOCKS	
Lock (Less Lever Key)	CVS-LOCK
Lock Removeable Key	CVS-LEVER-KEY

DESCRIPTION	PART NUMBER
ELTH17 – Complete with sensor	Power Supply 200 - 240V AC
DIMENSIONS – 1 Din module, depth 64mm	Power Supply 24V AC/DC
ELTH352 – Complete with sensor	Power Supply 200 - 240V AC
DIMENSIONS – 2 Din modules, depth 64mm	Power Supply 24V AC/DC
Alternative sensor for remote mounting	NTC PVC cable 1.5m
	ELTH17-240-R
	ELTH17-24-R
	ELTH352-240-R-2R
	ELTH352-24-R-2R
	NTC15TER

Replacement Gland Plate for CR, CRX & CRXX Enclosures

GLAND PLATES	OVERALL SIZE	GLAND OPENING	PLATE MATERIAL	REPLACEMENT PLATE PART NUMBER
A	208 x 94	174 x 60	P/Coated	CRGPLATE-SML
			SS - 304	CRXGPLATE-SML
			SS - 316	CRXXGPLATE-SML
B	294 x 123	259 x 88	P/Coated	CRGPLATE-MED
			SS - 304	CRXGPLATE-MED
			SS - 316	CRXXGPLATE-MED
C	344 x 149	310 x 115	P/Coated	CRGPLATE-LGE
			SS - 304	CRXGPLATE-LGE
			SS - 316	CRXXGPLATE-LGE



REPLACEMENT DOORS FOR CR, CRX & CRXX	REPLACEMENT GEAR TRAYS COMMON FOR CR, CRX & CRXX
<p>Use the outside dimensions to complete the part number below:</p> <p>CR ___ DR Powder Coated Steel</p> <p>CRX ___ DR 304 Stainless Steel</p> <p>CRXX ___ DR 316 Stainless Steel</p> <p>Example: Enclosure CR404020 Door Pt No. CR4040DR</p>	<p>Gear trays are steel zinc plated with a rainbow finish. Use the outside dimensions of the enclosure, height & width to complete the part number.</p> <p>CR ___ GT</p> <p>Example: Enclosure CR404020 Gear Tray CR4040GT</p>

Wall Mounting Stainless Steel Enclosures 304 & 316 Grade



IP65 (IEC 529)



Optional Items



Canopy and Rain Hood



Transparent Door



Frame Kit



Inner Door (painted steel)



Filter and Fan



Wall Mounting Brackets



Metal Cam Lock
with Keys



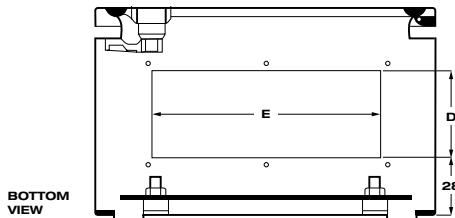
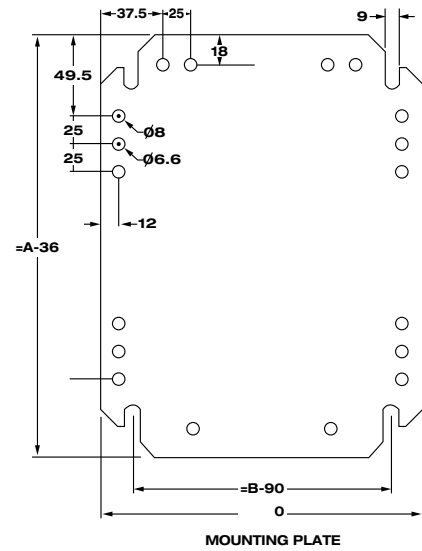
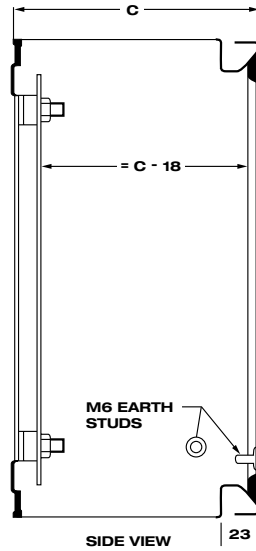
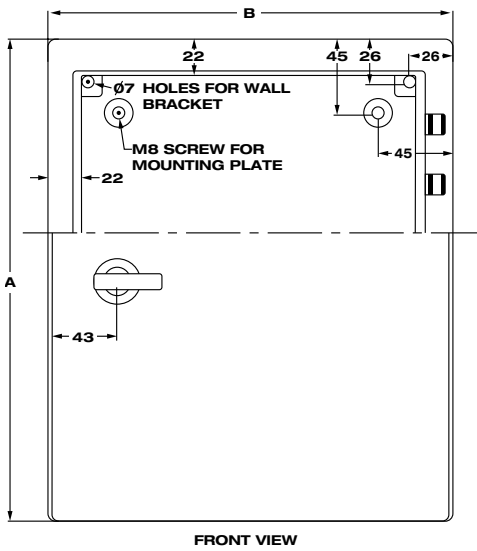
Quarter Turn Lock
Padlock (SS316)

Features:

- Made of stainless steel SS304/SS316 hairline finished
- Complete with mounting plate (galvanised steel), bottom gland plate and plastic lock
- Enclosure body folded and welded from single piece of material for maximum protection
- Double folded gutter at door frame to increase rigidity and prevents water from entering while door is opened
- Single piece gasket at door forms a continuous seal
- Concealed hinges provide 120° door opening
- Earthing facilities on body, door and mounting plate
- Material Specification
 - Body & door: 1.5 - 2.0mm SS304/SS316
 - Mounting plate: 1.5 - 2.0mm galvanised steel
 - Canopy & rainhood: 1.5mm SS304/SS316

STAINLESS STEEL VERTICAL TYPE CRX & CRXX

COMPLETE PRODUCT SPECIFICATIONS & DIMENSIONS - IP65



PART NAME	MATERIAL	FINISH
Body	1.5 to 2mm SS	SS304/SS316 Hairline finish
Door	1.5 to 2mm SS	SS304/SS316 Hairline finish
Mounting Plate	1.5/2.0mm E-G	Rainbow zinc plated
Gland Plate	1.5mm SS	SS304/SS316 Hairline finish
Wall Bracket	2.0mm SS	SS304/SS316 Natural

E-G – Electro-Galvanised

PART NO. SS 304	PART NO. SS 316	A	B	C	D	E	WEIGHT (KGS)
CRX252015	CRXX252015-316	250	200	153	-	-	3.5
CRX302515	CRXX302515-316	300	250	153	60	174	4.8
CRX303015	CRXX303015-316	300	300	153	60	174	5.4
CRX303020		300	300	203	60	174	6.5
CRX403015	CRXX403015-316	400	300	153	60	174	7.2
CRX403020	CRXX403020-316	400	300	203	60	174	8.0
CRX404020	CRXX404020-316	400	400	203	88	259	10.2
CRX504020	CRXX504020-316	500	400	203	88	259	12.2
CRX504025		500	400	253	88	259	13.5
CRX505025		500	500	253	115	310	16.5
CRX604020	CRXX604020-316	600	400	203	88	259	14.4
CRX604030*		600	400	303	88	259	17.5
CRX605020		600	500	203	88	259	18.0
CRX605025		600	500	253	115	310	19.0
CRX606025	CRXX606025-316	600	600	253	115	310	22.5
CRX606030*		600	600	303	115	310	23.5
CRX705025	CRXX705025-316	700	500	253	115	310	21.3
CRX705030*		700	500	303	115	310	23.5
CRX806025	CRXX806025-316	800	600	253	115	310	29.7
CRX808030	CRXX808030-316	800	800	303	115	310	39.9
CRX1006030		1000	600	303	115	310	39.0
CRX1008030	CRXX1008030-316	1000	800	303	115	310	48.2
CRX1208030	CRXX1208030-316	1200	800	303	115	310	56.5

* Note: Extra depth for drives etc.

- Gland plate openings are in the bottom of the enclosure.
- Door studs are welded to the back of the door (M6) for earthing or mounting an additional equipment tray for CRX504020 and above.
- For enclosure dimensions refer CRX on above.
- The mounting plate is included in the enclosure and is made of mild steel sheet zinc plated.

Wall Mounting Stainless Steel Metal Enclosures and Accessories Ordering Information

CRX and CRXX enclosures come complete with mounting (gear) plate, gland plates (except smallest enclosure) and standard door locks. Wall mounting brackets are purchased separately.

304 GRADE - Vertical Type IP65

COMPLETE ENCLOSURES			ACCESSORIES (add to Enclosures)			GLAND PLATES	DOOR LOCKS
WITH STANDARD DOOR	ENCLOSURE SIZE	WITH TRANSPARENT DOOR	INNER DOOR	CANOPY	DISTRIBUTION FRAME		
CRX252015	250 x 200 x 150			CPX2015		0	1
CRX302515	300 x 250 x 150			CPX2515		A x 1	1
CRX303015	300 x 300 x 150	CRX303015PD		CPX3015		A x 1	1
CRX303020	300 x 300 x 200	CRX303020PD		CPX3020		A x 1	1
CRX403015	400 x 300 x 150	CRX403015PD		CPX3015		A x 1	1
CRX403020	400 x 300 x 200	CRX403020PD	ID4030/20	CPX3020		A x 1	1
CRX404020	400 x 400 x 200	CRX404020PD	ID4040/20	CPX4020		B x 1	1
CRX504020	500 x 400 x 200	CRX504020PD	ID5040/20	CPX4020	DB504020F	B x 1	2
CRX504025	500 x 400 x 250	CRX504025PD	ID5040/25	CPX4025	DB504025F	B x 1	2
CRX505025	500 x 500 x 250	CRX505025PD	ID5050/25	CPX5025	DB505025F	C x 1	2
CRX604020	600 x 400 x 200	CRX604020PD	ID6040/20	CPX4020	DB604020F	B x 1	2
CRX604030*	600 x 400 x 300	CRX604020PD	ID6040/30	CPX4030	DB604030F	B x 1	2
CRX605020	600 x 500 x 200	CRX605020PD	ID6050/20	CPX5020	DB605020F	B x 1	2
CRX605025	600 x 500 x 250	CRX605025PD	ID6050/25	CPX5025	DB605025F	C x 1	2
CRX606025	600 x 600 x 250	CRX606025DP	ID6060/25	CPX6025	DB606025F	C x 1	2
CRX606030*	600 x 600 x 300	CRX606030DP	ID6060/30	CPX6030	DB606030F	C x 1	2
CRX705025	700 x 500 x 250	CRX705025PD	ID7050/25	CPX5025	DB705025F	C x 1	2
CRX705030*	700 x 500 x 300	CRX705030PD		CPX5030	DB705030F	C x 1	2
CRX806025	800 x 600 x 250	CRX806025PD	ID8060/25	CPX6025	DB806025F	C x 1	2
CRX808030	800 x 800 x 300	CRX808030PD	ID8080/30	CPX8030	DB808030F	C x 2	2
CRX1006030	1000 x 600 x 300	CRX1006030PD	ID10060/30	CPX6030	DB1006030F	C x 1	2
CRX1008030	1000 x 800 x 300	CRX1008030PD	ID10080/30	CPX8030	DB1008030F	C x 2	2
CRX1208030	1200 x 800 x 300	CRX1208030PD	ID12080/30	CPX8030		C x 2	2

304 GRADE - Horizontal Type IP65

CRX305025H	300 x 500 x 250			CPX5025		C x 1	1
------------	-----------------	--	--	---------	--	-------	---

316 GRADE - Vertical Type IP65

CRXX252015-316	250 x 200 x 150			CPXX2015		0	1
CRXX302515-316	300 x 250 x 150			CPXX2515		A x 1	1
CRXX303015-316	300 x 300 x 150	CRXX303015PD		CPXX3015		A x 1	1
CRXX403015-316	400 x 300 x 150	CRXX403015PD		CPXX3015		A x 1	1
CRXX403020-316	400 x 300 x 200	CRXX403020PD	ID4030/20	CPXX3020		A x 1	1
CRXX404020-316	400 x 400 x 200	CRXX404020PD	ID4040/20	CPXX4020		B x 1	1
CRXX504020-316	500 x 400 x 200	CRXX504020PD	ID5040/20	CPXX4020	DB504020F	B x 1	2
CRXX604020-316	600 x 400 x 200	CRXX604020PD	ID6040/20	CPXX4020	DB604020F	B x 1	2
CRXX606025-316	600 x 600 x 250	CRXX606025PD	ID6060/25	CPXX6025	DB606025F	C x 1	2
CRXX705025-316	700 x 500 x 250	CRXX705025PD	ID7050/25	CPXX5025	DB705025F	C x 1	2
CRXX806025-316	800 x 600 x 250	CRXX806025PD	ID8060/25	CPXX6025	DB806025F	C x 1	2
CRXX808030-316	800 x 800 x 300	CRXX808030PD	ID8080/30	CPXX8030	DB808030F	C x 2	2
CRXX1008030-316	1000 x 800 x 300	CRXX1008030PD	ID10080/30	CPXX8030	DB1008030F	C x 2	2
CRXX1208030-316	1200 x 800 x 300	CRXX1208030PD	ID12080/30	CPXX8030		C x 2	2

*Note: Extra depth for drives etc.

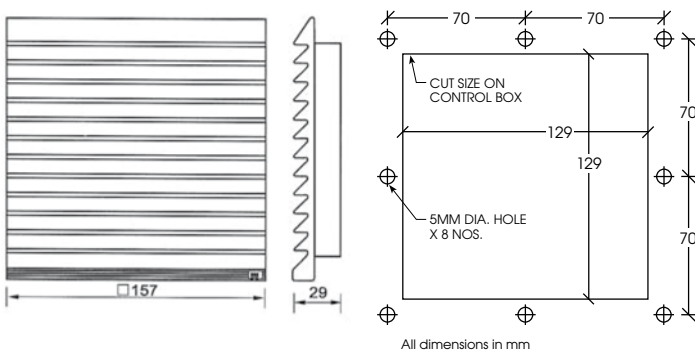
Vent/Filter Unit



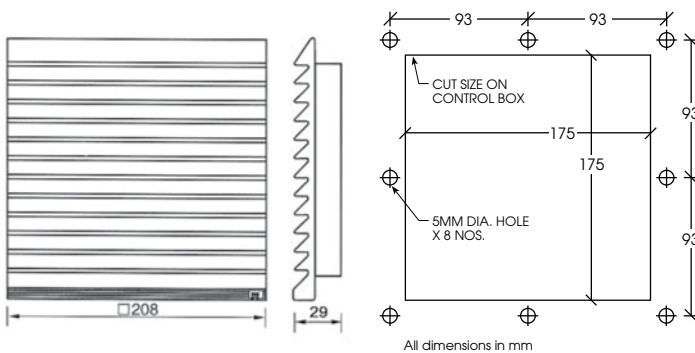
ORDERING INFORMATION

PART NO	SIZE (MM)
FILTER04	157 x 157 x 29
FILTER06	208 x 208 x 29

FILTER04 - Mounting cutout (mm)



FILTER06 - Mounting cutout (mm)



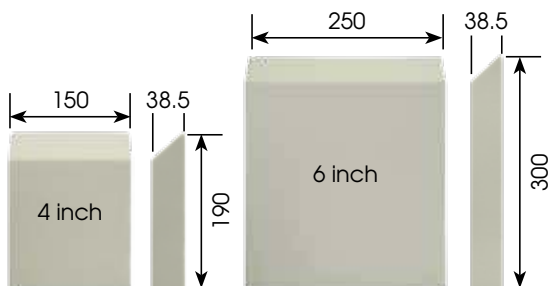
SPECIFICATIONS

PLASTIC CASING	
Material	ABS
Flame retardant	YES
UV-resistant	YES

SPECIFICATIONS

FILTER ELEMENT	
Material	Synthetic fibres
Average resistance (EN779)	86%
Air velocity	1.5 m/s
Rated air flow (m ³ /h/m ²)	5400
Final pressure drop	250 Pa
Initial efficiency (dust spot)	< 20%
Dust holding at tested final	620g/m ²
Class (EN779)	G3
Temperature resistant	Up to 100° C
Relative humidity	Up to 100° C
Washable	Yes

Rain Hoods c/w Filter



ORDERING INFORMATION

PART NO.	DESCRIPTION
RH04	4 inch Powder Coated E-G
RH06	6 Inch Powder Coated E-G
RHX04	4 inch 304 Grade S/Steel
RHXX04	4 inch 316 Grade S/Steel
RHX06	6 inch 304 Grade S/Steel
RHXX06	6 inch 316 Grade S/Steel

E-G - Electro-Galvanised

Cabinet AC Axial Cooling Fans



SPECIFICATIONS

MODEL	FAN04	FAN06
Dimensions	120 x 120 x 38mm	172 x 150 x 51mm
Frame	Die cast aluminium alloy, painted black, anti-corrosion	
Impeller	Thermoplastic PBT, UL 94V-0	
Temperature Range	-20°C to +70°C	
Operating Voltage	220 – 240V AC 50/60Hz <i>(below table ratings given for 50Hz only)</i>	
Bearing	Ball bearing	
Termination	2-wire lead, 310mm	
Standards	UL, TUV, CE	

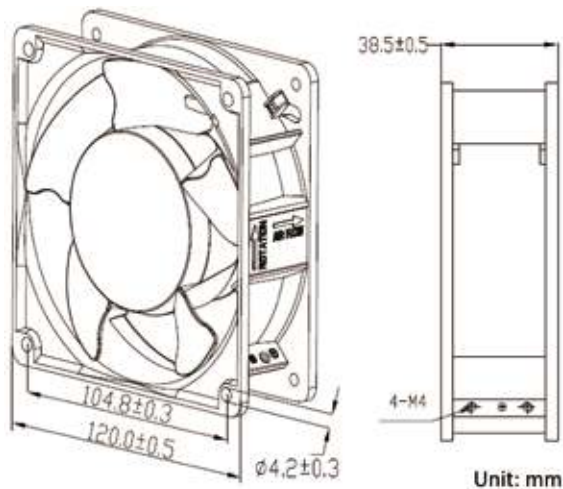


ORDERING INFORMATION

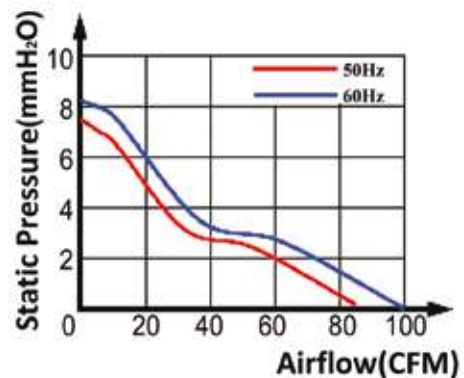
Voltage (V)	Freq (Hz)	Power (W)	Current (A)	Speed (RPM)	AirFlow		Pressure (in-H ₂ O)	Noise (dB)	PART NUMBER
					(CFM)	(m ³ /min)			
220-240	50	20	0.14	2700	86	2.44	7.8	43	FAN04
		42	0.31	2700	178	5.04	13.3	56	FAN06

The above AC fans come complete with fan guard/grill. 24V DC axial fans available on request.

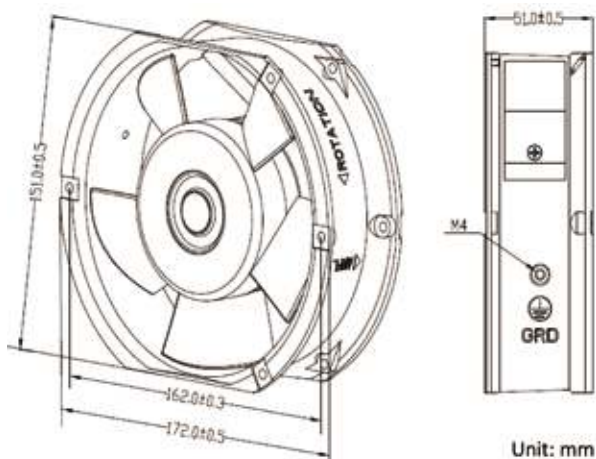
FAN04 - Dimensions (mm)



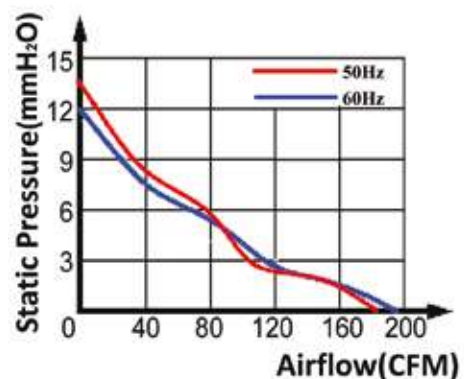
Air Flow-Static Pressure Characteristics



FAN06 - Dimensions (mm)



Air Flow-Static Pressure Characteristics



SELECTION CHART FOR PAN ASSEMBLY TYPE DISTRIBUTION BOARDS

ENCLOSURES

CR504020H	A1		A	CR504020 / CRX504020 / CRXX504020
CRX504025 / CR504025	A2			
CR505020	A3			
CRX505025 / CR505025	A4			
CR604020H	B1		B	CR604020 / CRX604020 / CRXX604020
			C	CR605020 / CRX605020
CR605025H	D1		D	CR605025 / CRX605025
CR605020	E1		E	CRX606025 / CRXX606025
			F	CR705025 / CRX705025 / CRXX705025
CR806020	G1		G	CR806025 / CRX806025 / CRXX806025
CR808025	H1		H	CR808030 / CRX808030 / CRXX808030
			J	CR1006030 / CRX1006030
			K	CR1008030 / CRX1008030 / CRXX1008030

NEUTRAL EARTH BARS 3 STUD

12-Way (100A) EN3S12W100A	A		
24-Way (100A) EN3S24W100A	B		
24-Way (200A) EN3S24W200A	C		
36-Way (100A) EN3S36W100A	F		
36-Way (200A) EN3S36W200A	G		
48-Way (200A) EN3S48W200A	J		
60-Way (200A) EN3S60W200A	K		

STANDARD PAN ASSEMBLIES

For the mounting of GEWISS MCB's®

A	12-Way (250A) PANGW12P
B	18-Way (250A) PANGW18P
C	24-Way (250A) PANGW24P
F	36-Way (250A) PANGW36P
H	48-Way (250A) PANGW48P
K	60-Way (250A) PANGW60P

• Also compatible with Red Line, ABB & Teraski MCB's. For Pan Assemblies to suit other MCB brands, refer EIC.

FRAME KITS

DB504020HF	A1		A	DB504020F
DB504025F	A2			
DB505020F	A3			
DB505025F	A4			
DB604020HF	B1		B	DB604020F
			C	DB605020F
DB605025HF	D1		D	DB605025F
DB606020F	E1		E	DB606025F
			F	DB705025F
DB806020F	G1		G	DB806025F
DB808025F	H1		H	DB808030F
			J	DB1006030F
			K	DB1008030F

MAIN ISOLATOR

125A CVS97723
160A CVS97727

INFORMATION FOR ORDERING

Enclosure: CR _____
 Pan Assembly: PAN _____
 Frame Kit: DB _____
 Main Isolator: CVS _____
 Neutral Earth: EN3S _____


Notes: • Pan assembly to suit Gewiss circuit breakers – assemblies available for other brands.

Frame Kits


The Frame Kit was developed to mount into a standard CVS Wall Mounted Powder Coated or Stainless Steel Enclosure. The Frame Kit is supplied in kitset form for assembly to suit the user's specific requirements. Each kit includes a number of 35mm DIN rails which can be positioned to suit the mounting of MCBs and other modular DIN rail mountable devices as part of a distribution board or control panel. Additional horizontal DIN rails can be purchased as required.

Frame Kits

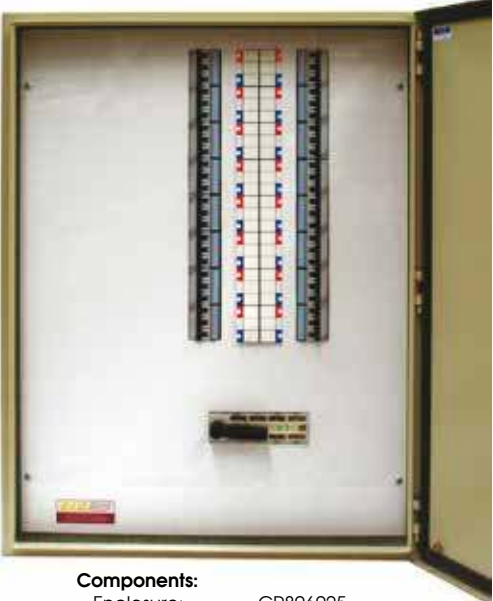
FRAME KIT - FRONT VIEW



FRAME KIT - SIDE VIEW



PAN ASSEMBLY TYPE DISTRIBUTION BOARD



35mm DIN Rail for mounting:

- Circuit Breakers
- Timers
- RCDs
- Voltage Relays
- Manual Motor Starters
- Phase Sequence Relays
- Contactors
- Current Sensing Relays
- Relays
- Power Supplies
- Isolators
- Battery Chargers
- Level Controls
- Solid State Relays
- PLCs
- Terminals

DIN Rail adjustable:

- Up / Down
- Front / Back

Components:

- Enclosure:CR806025
- Pan Assembly:PANGW48P
- Frame Kit:DB806025F
- Main Isolator:CVS 97727
- Neutral Earth:EN3S48W200A

TO SUIT ENCLOSURE (CR, CRX or CRXX)	Frame Kits [Ⓢ]			Additional DIN Rails [Ⓢ]
	HORIZONTAL DIN RAILS	INSULATED MASKING PANEL	FRAME KIT PART NUMBER	DIN RAIL KIT PART NUMBER
___ 504020	3	455 x 360mm	DB504020F	DIN420
___ 504025	3	455 x 360mm	DB504025F	DIN425
___ 505020	3	455 x 460mm	DB505020F	DIN520
___ 505025	3	455 x 460mm	DB505025F	DIN525
___ 604020	3	555 x 360mm	DB604020F	DIN420
___ 605020	3	555 x 460mm	DB605020F	DIN520
___ 605025	3	555 x 460mm	DB605025F	DIN525
___ 606020	3	555 x 560mm	DB606020F	DIN620
___ 606025	3	555 x 560mm	DB606025F	DIN625
___ 705025	3	655 x 460mm	DB705025F	DIN525
___ 806020	3	755 x 560mm	DB806020F	DIN620
___ 806025	3	755 x 560mm	DB806025F	DIN625
___ 808025	3	755 x 760mm	DB808025F	DIN825
___ 808030	3	755 x 760mm	DB808030F	DIN830
___ 1006030	3	955 x 560mm	DB1006030F	DIN630
___ 1008030	3	955 x 760mm	DB1008030F	DIN830
CR504020H	2	455 x 360mm	DB504020HF	DIN520
CR604020H	2	555 x 360mm	DB604020HF	DIN620
CR605025H	2	555 x 460mm	DB605025HF	DIN625

NOTES: Ⓢ Frame Kits include horizontal DIN rails and white insulated masking panel (blank).
 Ⓢ Additional DIN rails with support brackets can be ordered separately if required.

Combination Distribution Boards

The DIN rails can be arranged to mount Circuit Breakers and RCDs horizontally using a busbar connecting comb. The same rails can be used to mount a Pan Assembly or a combination of Distribution and Motors Starters suitable for use as Generator Panels, Pump Controls or PLC Control Systems.

Robust Metal Utility/Terminal Boxes



Powder Coated Steel
(Electro-Galvanised)



Stainless Steel

Terminal Box Accessories



Insulated Mounting Panel



35mm Din Rail



Mounting Feet / Brackets

ORDERING INFORMATION - Accessories

PART NUMBER	DESCRIPTION
CT15DIN	35mm DIN rail for 150mm Terminal Box
CT20DIN	35mm DIN rail for 200mm Terminal Box
CT15MP	Insulated Mounting Plate 80H x 140Wmm for 150mm Box
CT20MP	Insulated Mounting Plate 130H x 190Wmm for 200mm Box
CVS-BRACKETS	Wall Mounting Brackets/Feet – Zinc (for CT15 & CT20)
CVS-SS-BRACKETS-304	Wall Mounting Brackets/Feet – SS304 (for CTX15 & CTX20)
CVS-SS-BRACKETS-316	Wall Mounting Brackets/Feet – SS316 (for CTXX15 & CTXX20)

Robust Metal Utility/Terminal Boxes

Stainless Steel 304 & 316



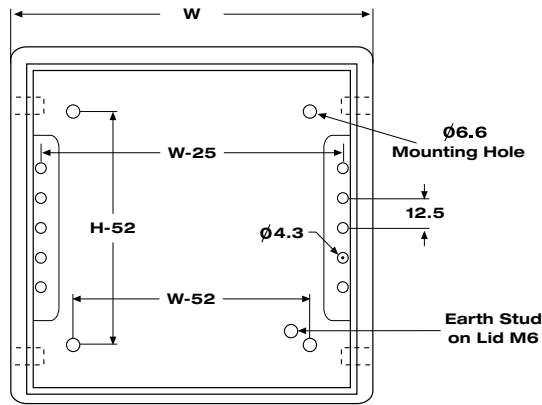
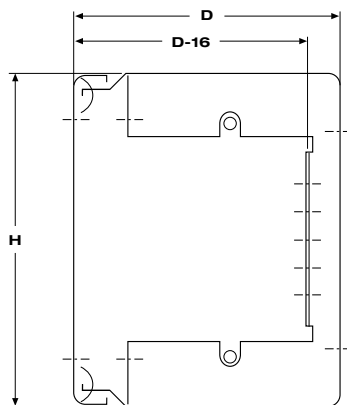
Powder Coated Steel



SPECIFICATIONS:

- Material & finish
 - 1.5mm SS304 & SS316 hairline finished
 - 1.5mm Electro-Galvanised Steel sheet, polyester powder coating RAL 7032 (CVS beige colour)
- Internal bracket – as above
- Polyurethane gasket on lid forms a continuous seal
- Double fold on base opening for strength and to channel water away from seal
- Earthing studs in base and lid
- Pre-punched holes on internal bracket for fixing din rail and mounting plate
- 4 fixing holes for direct mounting to wall
- Accessories – din rail, mounting plate and wall mounting bracket

Box Dimensions



Front View



ORDERING INFORMATION - Boxes

Stainless Steel

PART NO	DIMENSIONS MM	
CTX151512	150H x 150W x 120D	304 Grade
CTX202012	200H x 200W x 120D	304 Grade
CTXX151512-316	150H x 150W x 120D	316 Grade
CTXX202012-316	200H x 200W x 120D	316 Grade

Powder Coated Steel

PART NO	DIMENSIONS MM
CT151512	150H x 150W x 120D
CT202012	200H x 200W x 120D

Free Standing Operator Control Station

Benefits:

- Versatile enclosure for computer based control system
- Suitable for touch screen or monitor
- Slide out trays for ease of operation and maintenance
- Front and rear doors
- Alternative to a control desk

ORDERING INFORMATION

PART NUMBER	DESCRIPTION
PCE-160-6065	Cabinet with plain top door
PCE-160-6065GD	Cabinet with clear panel in top door

Items included with Cabinet

ITEM	PART NUMBER	DESCRIPTION
1	PCE-MT	Monitor Tray/Partition
2	PCE-KT	Keyboard Tray with Slide Out Mouse Pad
3*	PCE-ST	Adjustable Sliding Tray
4*	PCE-GT	Gear Tray and Mounting Rails
5	PCE-VF	4" Vent and Filter
6	PCE-FAN	4" Fan Plus Vent and Filter
7	PCE-CW	Castor Wheels (4)
8	PCE-AF	Adjustable Feet (4)

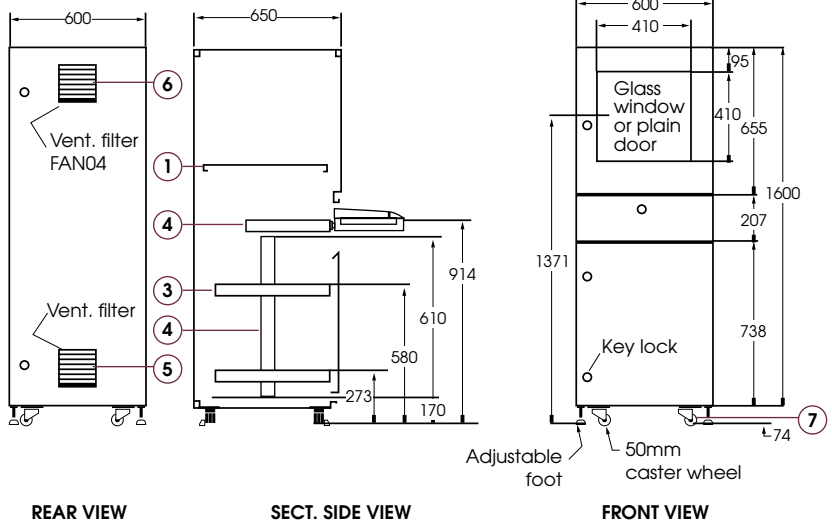
* Only 1 option permitted.



SPECIFICATIONS

DIMENSION (mm)	1600H x 600W x 650D
MATERIAL	Electro-galvanised 2.0mm sheet steel
FINISH	Powder coated grey colour (RAL 7035)
WEIGHT	129 kg (Enclosure only)

Dimension (mm)



Control Desks – 4 Sizes

Features:

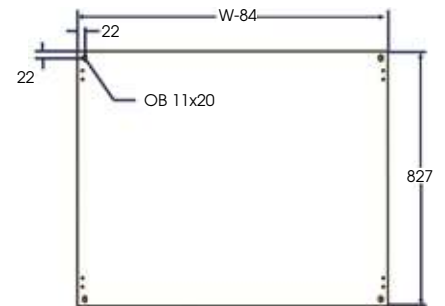
- Polyurethane one piece gasket on door provides a continuous seal.
- Galvanised adjustable depth mounting plate.
- Concealed hinges provide 130 degree door opening.
- Earthing facilities on door, body and mounting plate.
- Surface finished with polyester powder coating (RAL 7035 grey).
- Plinth finished with polyester powder coating (RAL 5004 black).



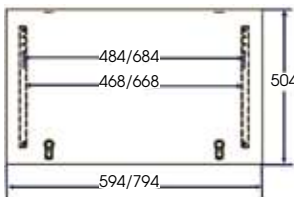
**IP55
(IEC 529)**

PART NAME	MATERIAL	FINISH
Body	1.4mm E-G	RAL 7035 (Polyester Powder Coated)
Door	2.0mm E-G	
Gland Plate	2.0mm E-G	Rainbow Plated
Mounting Plate	2.0mm E-G	
Plinth	2.0/3.0mm E-G	RAL 5004 (Black)

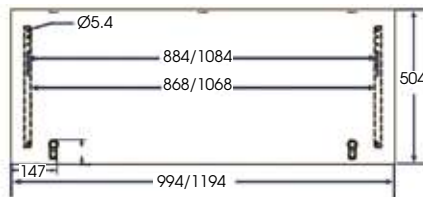
E-G – Electro-Galvanised



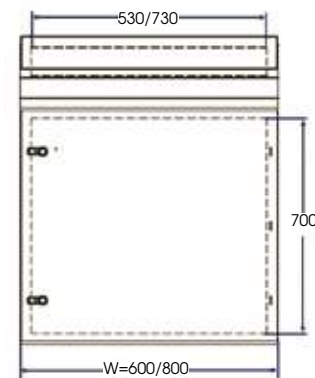
MOUNTING PLATE



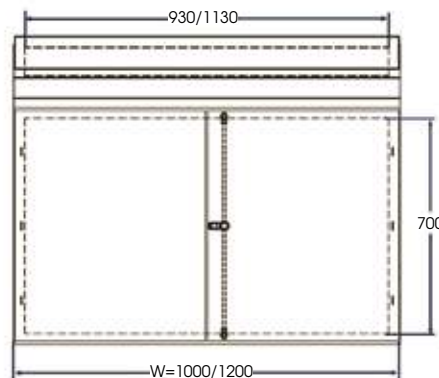
TOP PANEL



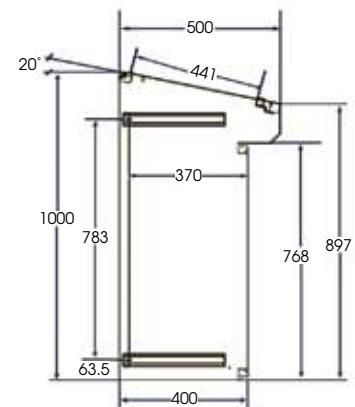
TOP PANEL



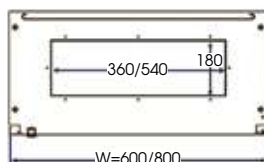
FRONT VIEW



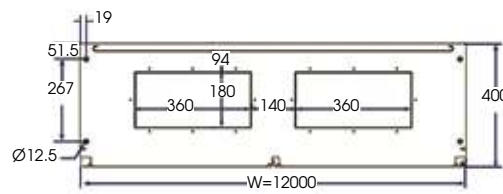
FRONT VIEW



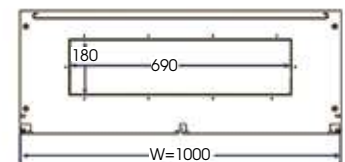
SIDE VIEW



BOTTOM VIEW



BOTTOM VIEW



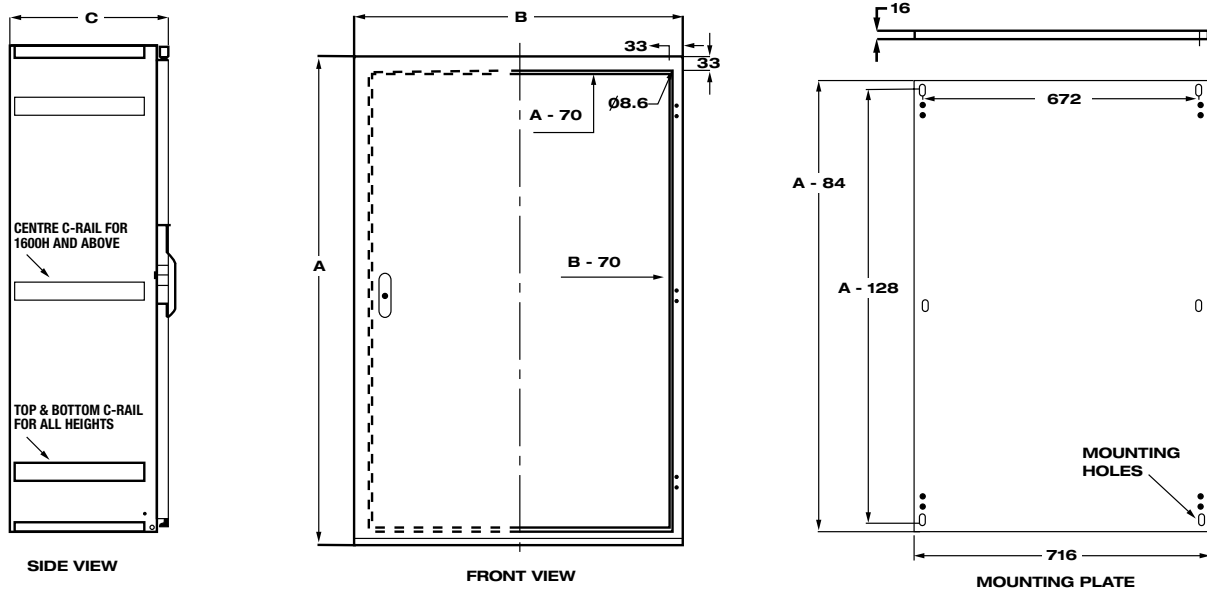
BOTTOM VIEW

CONTROL DESK PART NUMBER	DESK DIMENSIONS (mm) Height x Width x Depth	No. of Doors	PLINTH (100mm) PART NUMBER	Weight (kg)
CS600	1000 x 600 x 500	1	PL64/100^o	40
CS800	1000 x 800 x 500	1	PL84/100^o	62
CS1000	1000 x 1000 x 500	2	PL104/100^o	84
CS1200	1000 x 1200 x 500	2	PL124/100^o	107

Note: ^o200mm Plinths available on request.

Single Door Floor Standing Enclosures CM – 800mm Wide

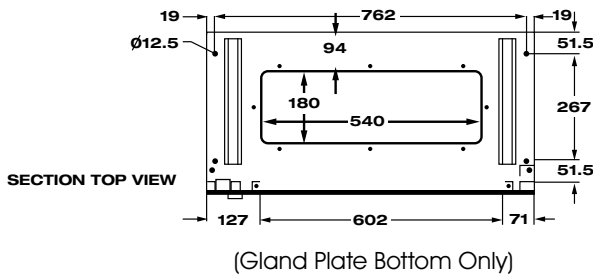
SPECIFICATIONS & DIMENSIONS 800mm Wide x 400mm Deep - IP55



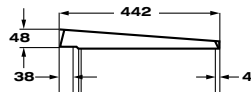
SPECIFICATIONS

PART NAME	MATERIAL	FINISH
Body/Door	2.0mm E-G	RAL 7032 Polyester Powder Coated
Gland Plate	2.0mm E-G	RAL 7032 Polyester Powder Coated
Mounting Plate	3.0mm GI	Original finish
Canopy	1.5mm E-G	RAL 7032 Polyester Powder Coated
Plinth	2/3.0mm E-G	Black Polyester Powder Coated
Light Bracket	1.5mm E-G	Zinc Plated

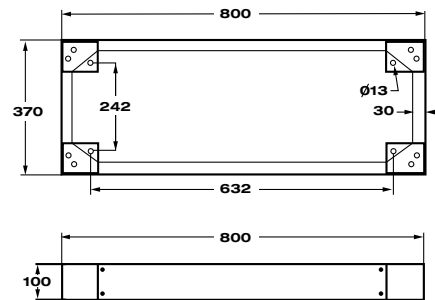
E-G – Electro-Galvanised



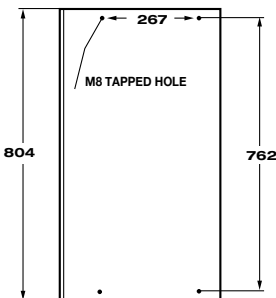
CANOPY: CPM8040



PLINTH: PL84/100



REPLACEMENT SWING LOCK ONLY FOR CM, ES & MS CABINETS	
PART NUMBER	CVS-1160-U1
Lock sets come with 1 key No. 333 No locking rods are included	



ORDERING INFORMATION

PART NO	DIMENSIONS A B C	CANOPY	LIGHT MOUNTING BRACKET	INNER DOOR	TRANSPARENT DOOR	PLINTH	WEIGHT (KG)
CM148/40	1400 800 400	CPM8040	LGT800*	ID148**	TD148**	PL84/100	106
CM168/40	1600 800 400	CPM8040	LGT800*	ID168**	TD168**	PL84/100	120
CM188/40	1800 800 400	CPM8040	LGT800*	ID188**	TD188**	PL84/100	134
CM208/40	2000 800 400	CPM8040	LGT800*	ID208**	TD208**	PL84/100	148

* Cabinet Light Brackets come with a mounting panel and door switch. Light fitting is not included.

** Check stock availability.

Floor Standing Industrial Enclosures – Type CM



IP55 (IEC 529)



Features:

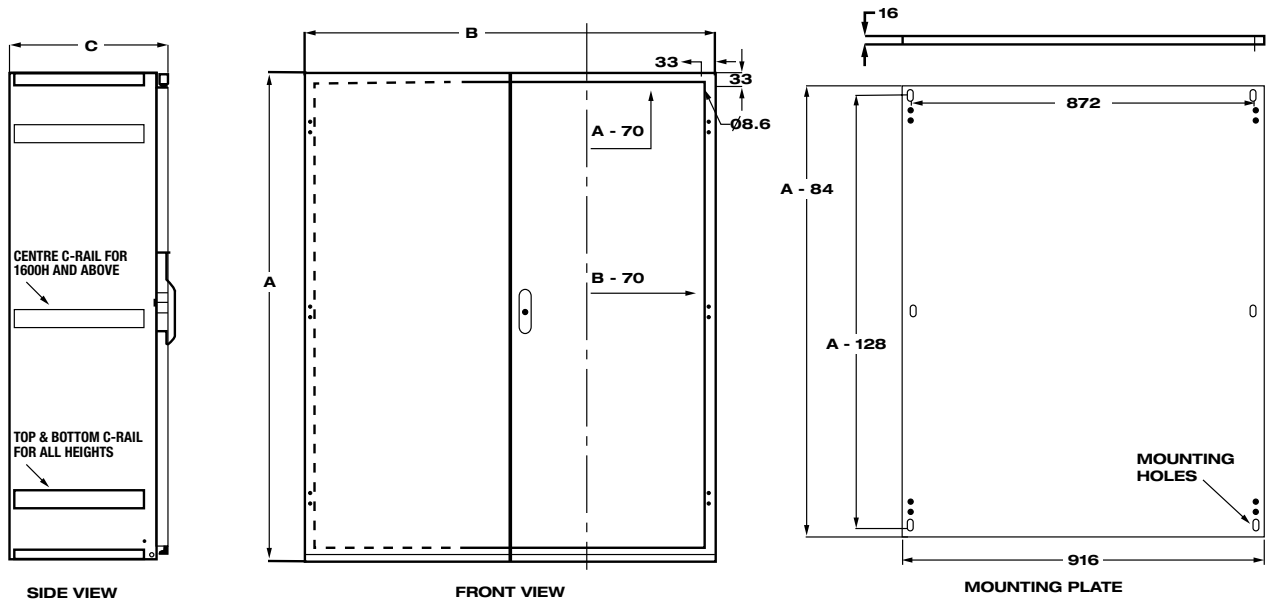
- Material
 - Body & Door: 2.0mm electro-galvanised sheet steel
 - Plinth (black): 2.0 - 3.0mm electro-galvanised sheet steel
 - Mounting plate: 3.0mm galvanised sheet steel
- Surface finished with powder coating (RAL 7032 beige)
- Complete with mounting plate (adjustable in depth)
- C-rails welded at both sides of internal body for mounting accessories
- Polyurethane one piece gasket on door provides a continuous seal
- Double folded gutter at door frame to increase rigidity and prevent water from entering while door is opened
- Removable door rails ensure flexibility and rigidity
- Single door models are reversible for right or left opening
- 3-point locking system

Optional Items



Two Door Floor Standing Enclosures CM – 1000mm Wide

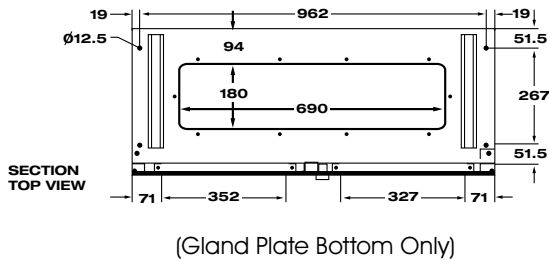
SPECIFICATIONS & DIMENSIONS: 1000mm Wide x 400mm Deep - IP55



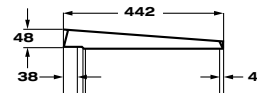
SPECIFICATIONS

PART NAME	MATERIAL	FINISH
Body/Door	2.0mm E-G	RAL 7032 Polyester Powder Coated
Gland Plate	2.0mm E-G	RAL 7032 Polyester Powder Coated
Mounting Plate	3.0mm GI	Original finish
Canopy	1.5mm E-G	RAL 7032 Polyester Powder Coated
Plinth	2/3.0mm E-G	Black Polyester Powder Coated
Light Bracket	1.5mm E-G	Zinc Plated

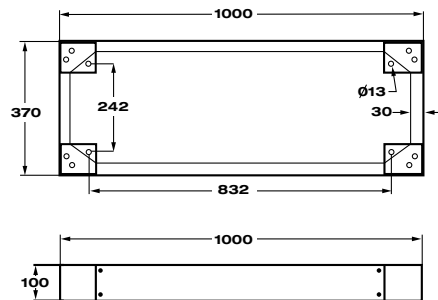
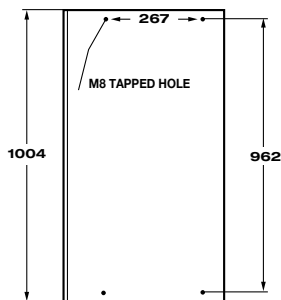
E-G – Electro-Galvanised



CANOPY: CPM10040



PLINTH: PL104/100



ORDERING INFORMATION

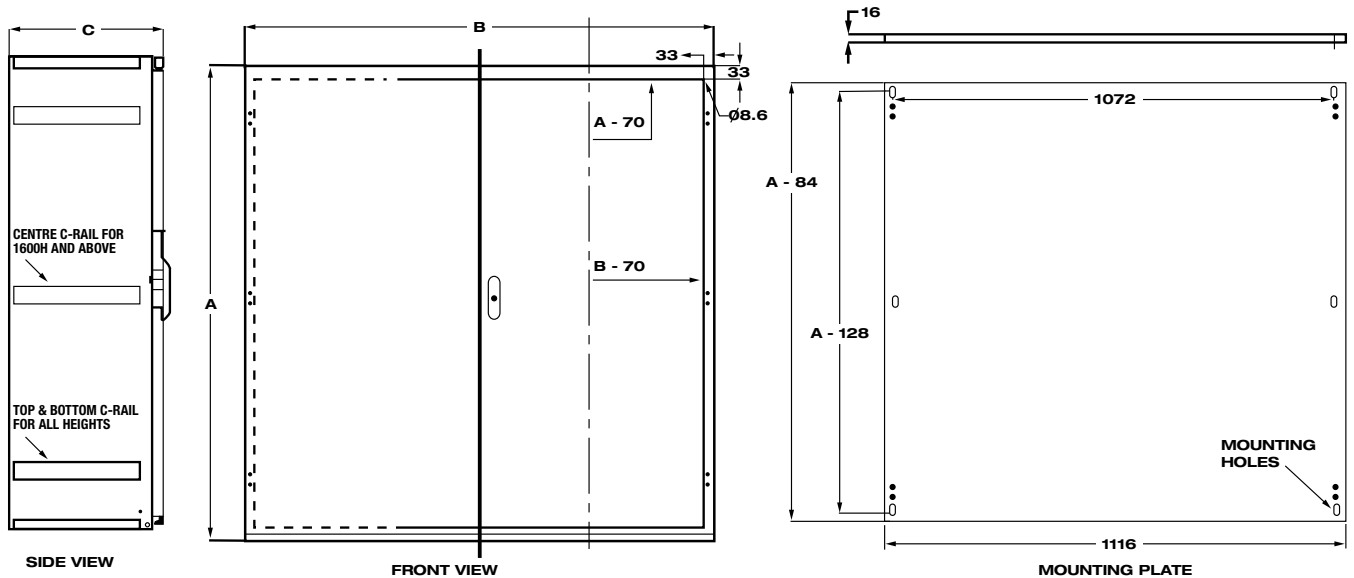
PART NO.	DIMENSIONS			CANOPY	LIGHT MOUNTING BRACKET	INNER DOOR	TRANSPARENT DOOR	PLINTH	WEIGHT (KG)
	A	B	C						
CM1410/40	1400	1000	400	CPM10040	LGT1000*	ID1410**	TD1410**	PL104/100	129
CM1610/40	1600	1000	400	CPM10040	LGT1000*	ID1610**	TD1610**	PL104/100	145
CM1810/40	1800	1000	400	CPM10040	LGT1000*	ID1810**	TD1810**	PL104/100	162
CM2010/40	2000	1000	400	CPM10040	LGT1000*	ID2010**	TD2010**	PL104/100	179

* Cabinet Light Brackets come with a mounting panel and door switch. Light fitting is not included.

** Check stock availability.

Two Door Floor Standing Enclosures CM – 1200mm Wide

SPECIFICATIONS & DIMENSIONS: 1200mm Wide x 400mm Deep - IP55

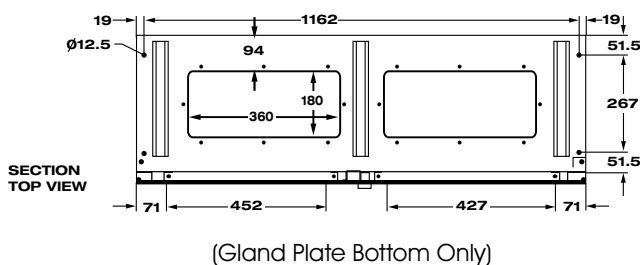


SPECIFICATIONS

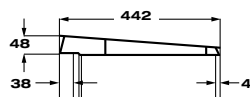
PART NAME	MATERIAL	FINISH
Body/Door	2.0mm E-G	RAL 7032 Polyester Powder Coated
Gland Plate	2.0mm E-G	RAL 7032 Polyester Powder Coated
Mounting Plate	3.0mm GI	Original finish
Canopy	1.5mm E-G	RAL 7032 Polyester Powder Coated
Plinth	2/3.0mm E-G	Black Polyester Powder Coated
Light Bracket	1.5mm E-G	Zinc Plated

E-G – Electro-Galvanised

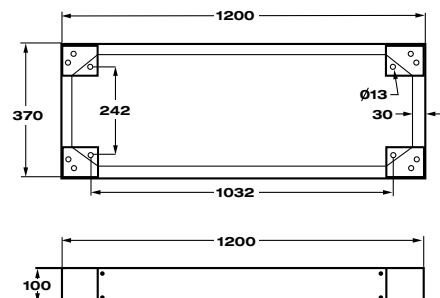
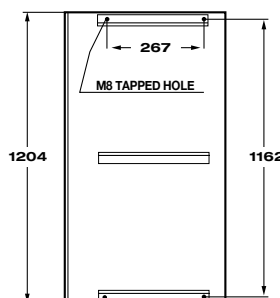
PLINTH: PL124/100



CANOPY: CPM12040



REPLACEMENT SWING LOCK ONLY FOR CM, ES & MS CABINETS	
PART NUMBER	CVS-1160-U1
Lock sets come with 1 key No. 333 No locking rods are included	



ORDERING INFORMATION

PART NO.	DIMENSIONS			CANOPY	LIGHT MOUNTING BRACKET	INNER DOOR	TRANSPARENT DOOR	PLINTH	WEIGHT (KG)
	A	B	C						
CM1612/40	1600	1200	400	CPM12040	LGT1200*	ID1612**	TD1612**	PL124/100	170
CM1812/40	1800	1200	400	CPM12040	LGT1200*	ID1812**	TD1812**	PL124/100	190
CM2012/40	2000	1200	400	CPM12040	LGT1200*	ID2012**	TD2012**	PL124/100	209

* Cabinet Light Brackets come with a mounting panel and door switch. Light fitting is not included.

** Check stock availability.

Model ES – Robust Double Sided Stand Alone Unit



Outdoor Enclosures

The CVS range of "ES" Enclosures are manufactured using electro-galvanised sheet steel. Combined with a specially designed canopy and improved corrosion resistance, the "ES" cabinets are well suited to outdoor use.

By keeping the welding processes and material finishing to a minimum, CVS engineers have ensured that the galvanised coating is maintained at the highest level possible.

These enclosures offer great value in a weather proof cabinet before moving up to stainless steel or a much heavier galvanised plate construction.

Left: Standard Enclosures

Powder Coated Outdoor Enclosures

SPECIFICATIONS:

- The ES model is a stand alone unit, not for joining purposes.
- Top and side plates form the main structure (not removable) which makes the enclosure more solid and maximises rigidity.
- Front door, rear panel and bottom gland plate are removable.
Rear panel can change to rear door with additional components and door.
- The internal construction and specification are similar to MS model.
- Material:
 - Main structure, door, rear panel and bottom gland plate - 2.0mm electro-galvanised steel
 - Finish - RAL 7032 Polyester Powder Coated
 - Mounting plate - 3.0mm galvanised sheet steel.
 - Plinth - 2.0/3.0mm electro-galvanised steel powder coated black polyester



Enclosure with Canopy - Rainhoods are supplied as accessories (refer page 14)

ORDERING INFORMATION

ENCLOSURES STANDARD TYPE	NO. OF DOORS	DIMENSIONS H X W X D	ACCESSORIES	
			CANOPY	PLINTH 100mm (High)
ES206/40	1	2000 x 600 x 400	CPE64	PLM64/100
ES206/50	1	2000 x 600 x 500	CPE65	PLM65/100
ES206/60	1	2000 x 600 x 600	CPE66	PLM66/100
ES206/80	1	2000 x 600 x 800	CPE68	PLM68/100
ES208/40	1	2000 x 800 x 400	CPE84	PLM84/100
ES208/50	1	2000 x 800 x 500	CPE85	PLM85/100
ES208/60	1	2000 x 800 x 600	CPE86	PLM86/100
ES208/80	1	2000 x 800 x 800	CPE88	PLM88/100
ES2010/40	2	2000 x 1000 x 400	CPE104	PLM104/100
ES2010/50	2	2000 x 1000 x 500	CPE105	PLM105/100
ES2010/60	2	2000 x 1000 x 600	CPE106	PLM106/100
ES2010/80	2	2000 x 1000 x 800	CPE108	PLM108/100
ES2012/40	2	2000 x 1200 x 400	CPE124	PLM124/100
ES2012/50	2	2000 x 1200 x 500	CPE125	PLM125/100
ES2012/60	2	2000 x 1200 x 600	CPE126	PLM126/100
ES2012/80	2	2000 x 1200 x 800	CPE128	PLM128/100

Note: 1800mm high models are also available on indent. Discuss options and accessories with EIC.

Optional Items and Accessories for Models MS & ES



Roof Ventilator Unit



Cooling Fan (single or double) for Roof Ventilator Unit and Light Mounting Bar



Document Pocket (Metal or Plastic)



Inner Mounting Plate - 100mm Width (MS only)
(to cover gap between 2 mounting plates)



Air Conditioner



Side Mounting Bar



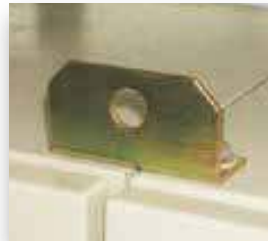
Plinth - 100mm/200mm H



Mounting Profile



Eye Bolt



Lifting Bracket
(MS only)



Ventilator Filter Unit
(Page 14)



Cooling Fan
(Page 15)



Enclosure with Swing Rack



Enclosure with Canopy,
Inner Door and
Transparent Door

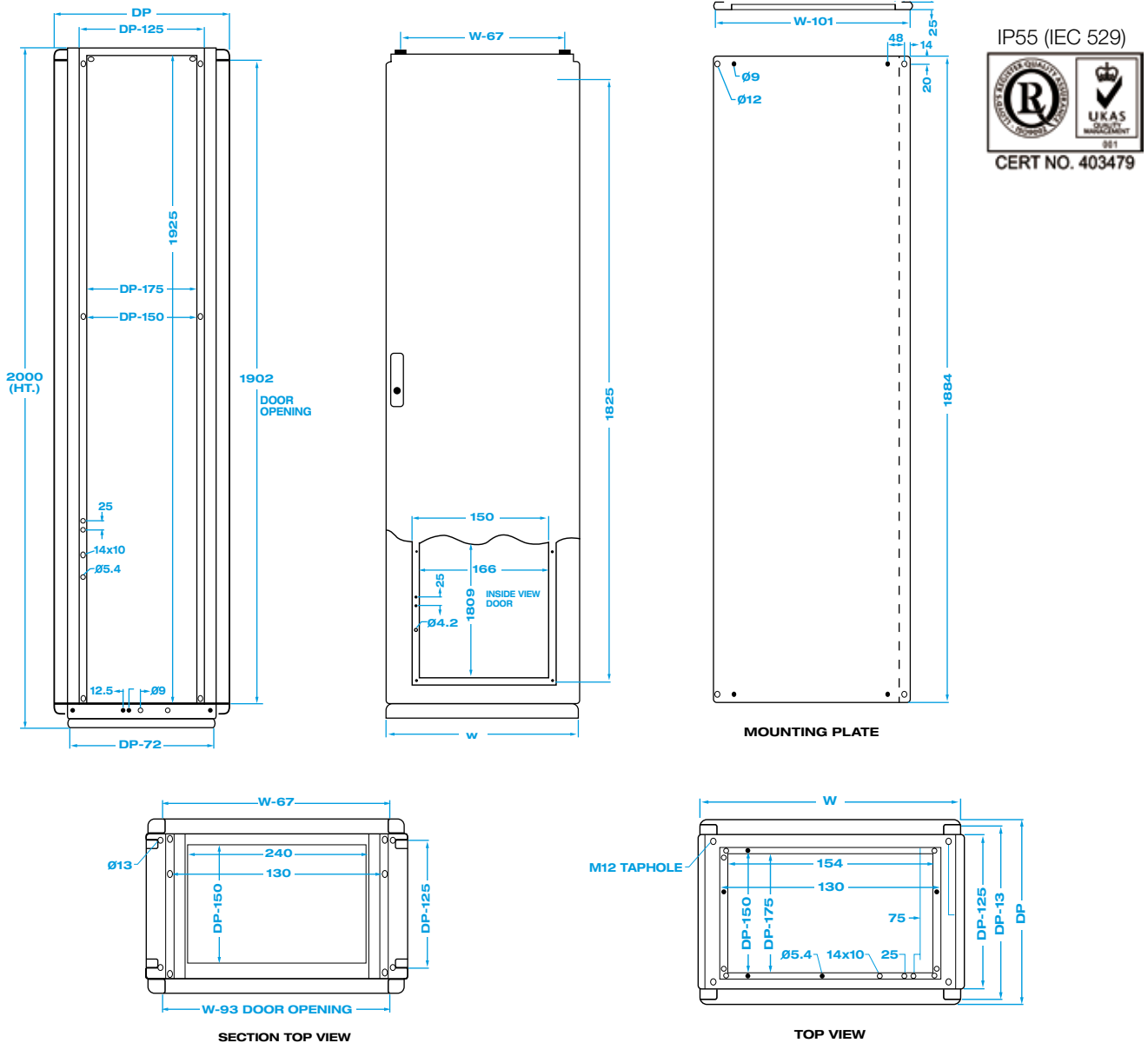


Enclosure with Fan, Filter,
Mounting Profile and
Roof Ventilation Unit

Modular System MS – 600/800mm Wide

With single front door and removable back panel

SPECIFICATIONS & DIMENSIONS



SPECIFICATIONS

COMPONENT	MATERIAL	FINISHING
Frame	2.0 mm E-G	RAL 7032 Polyester Powder Coated
Door	2.0 mm E-G	RAL 7032 Polyester Powder Coated
Rear, Side & Top Panel	1.5 mm E-G	RAL 7032 Polyester Powder Coated
Gland Plate	1.5 mm E-G	RAL 7032 Polyester Powder Coated
Mounting Plate	3.0 mm E-G	Original finish
Lock c/w Key	Polyamide	Black (Replacement swing lock Part No. CVS-1160-U1)

E-G – Electro-Galvanised

NOTE:- For a single structure - it is necessary to purchase a pair of side panels separately. For multiple section structures - only 1 pair of side panels are necessary. Each section is complete with a mounting plate, front door and a removable rear panel.

OPTIONS:- Refer EIC for other options shown on page 27. A second door(s) can replace the rear panel if required.

DIMENSIONS

Part No.	Height (HT)	Weight (W)	Depth (DP)
MS206/50	2000	600	500
MS206/60	2000	600	600
MS208/50	2000	800	500
MS208/60	2000	800	600
MS208/80	2000	800	800

Refer Page 29 for Ordering Information

Model MS – CVS Modular System

SPECIFICATIONS:

- CVS Modular System (MS) is a flexible system where two or more enclosures can be joined together to achieve the required width (length).
- The MS is designed to mount modules of the same height and depth together, however, the width of the modules can vary to suit the component layout.
- Front door, rear panel (or rear door), bottom gland plate, top and side panel are removable for flexibility.
- A continuous polyurethane gasket seal on door, top, rear and side panel provide maximum IP protection.
- Reinforcement frame on door to increase rigidity and mounting accessories.
- Concealed hinges provide 120° door opening.
- Complete with side mounting bar (x4)
- Material:
 - Frame structure and door - 2.0mm electro-galvanised sheet steel.
 - Top, rear side panel and bottom gland plate 1.5mm electro-galvanised sheet steel.
 - Mounting plate (MP, Rear MP, Inner MP) 3.0mm galvanised sheet steel.
 - Plinth - 2.0 to 3.0mm electro-galvanised sheet steel (polyester power coating black colour).
- Locking system: 4-point for single door, 3-point for double door.
- Finish: Polyester powder coating CVS standard beige colour (RAL7032).

Versatile construction to meet your requirements



Internal Construction



IP55 (IEC 529)
CERT NO. 403479

ORDERING INFORMATION

For the first module it is necessary to order separately a pair of side panels.

MODULAR SECTION	DIMENSIONS H X W X D	NO. OF DOORS	SIDE PANELS	PLINTH 100mm (High) ①	MOUNTING PLATE H X W
MS206/40	2000 x 600 x 400	1	MSSP204	PLM64/100	1884 X 499
MS206/50	2000 x 600 x 500	1	MSSP205	PLM65/100	1884 X 499
MS206/60	2000 x 600 x 600	1	MSSP206	PLM66/100	1884 X 499
MS206/80	2000 x 600 x 800	1	MSSP208	PLM68/100	1884 X 499
MS208/40	2000 x 800 x 400	1	MSSP204	PLM84/100	1884 X 699
MS208/50	2000 x 800 x 500	1	MSSP205	PLM85/100	1884 X 699
MS208/60	2000 x 800 x 600	1	MSSP206	PLM86/100	1884 X 699
MS208/80	2000 x 800 x 800	1	MSSP208	PLM88/100	1884 X 699
MS2010/40	2000 x 1000 x 400	2	MSSP204	PLM104/100	1884 X 899
MS2010/50	2000 x 1000 x 500	2	MSSP205	PLM105/100	1884 X 899
MS2010/60	2000 x 1000 x 600	2	MSSP206	PLM106/100	1884 X 899
MS2010/80	2000 x 1000 x 800	2	MSSP208	PLM108/100	1884 X 899
MS2012/40	2000 x 1200 x 400	2	MSSP204	PLM124/100	1884 X 1099
MS2012/50	2000 x 1200 x 500	2	MSSP205	PLM125/100	1884 X 1099
MS2012/60	2000 x 1200 x 600	2	MSSP206	PLM126/100	1884 X 1099
MS2012/80	2000 x 1200 x 800	2	MSSP208	PLM128/100	1884 X 1099
ENCLOSURE JOINING KIT (1 kit for each additional enclosure)					Part No. MSJK

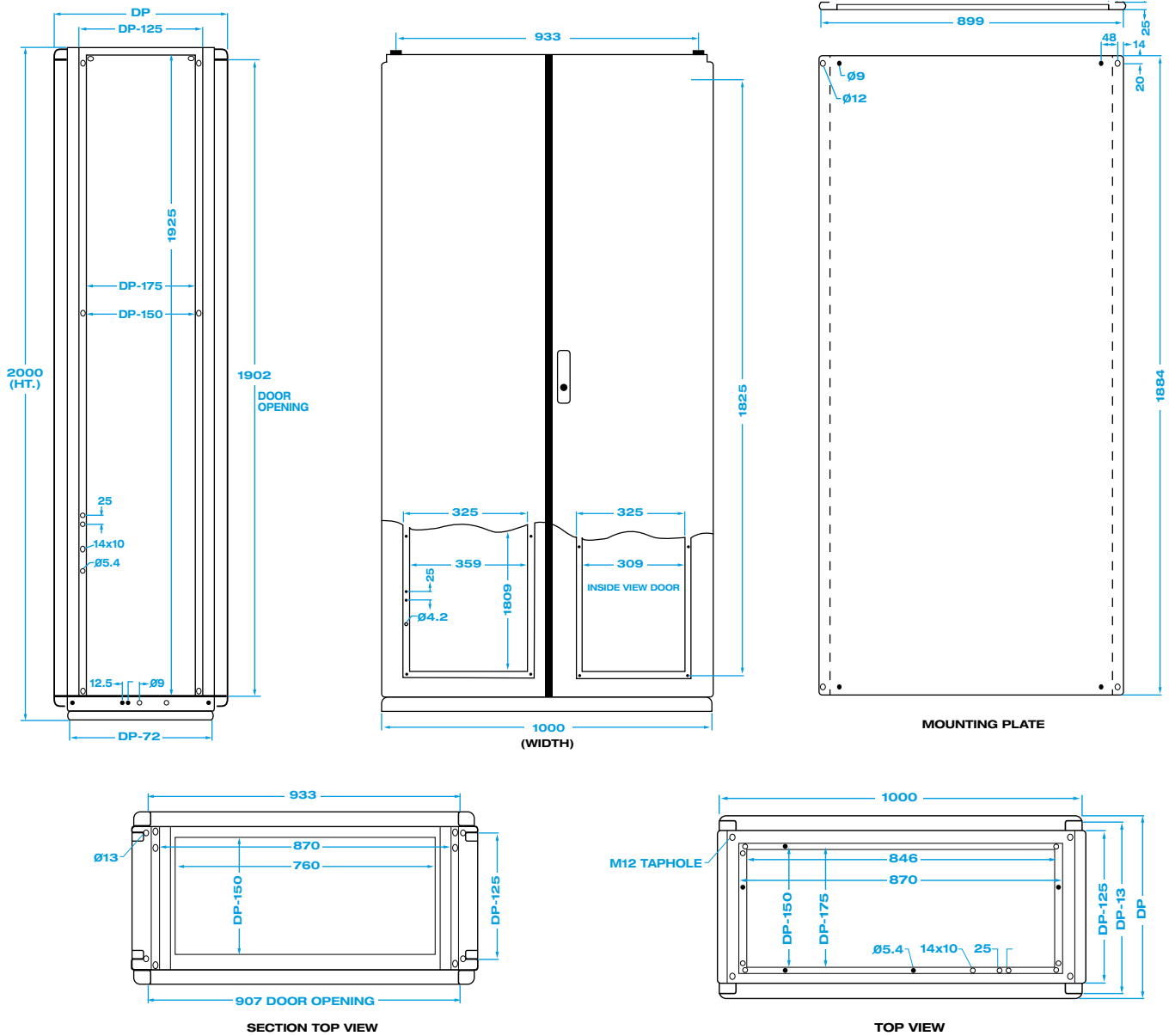
Note: 1800mm high models are also available on indent. Discuss options and accessories with EIC.

① Plinth suitable for single section. Refer EIC for multi-section plinths.

Modular System MS – 1000mm Wide

With 2 front doors and removable back panel

SPECIFICATIONS & DIMENSIONS



SPECIFICATIONS

COMPONENT	MATERIAL	FINISHING
Frame	2.0 mm E-G	RAL 7032 Polyester Powder Coated
Door	2.0 mm E-G	RAL 7032 Polyester Powder Coated
Rear, Side & Top Panel	1.5 mm E-G	RAL 7032 Polyester Powder Coated
Gland Plate	1.5 mm E-G	RAL 7032 Polyester Powder Coated
Mounting Plate	3.0 mm GI	Original finish
Lock c/w Key	Polyamide	Black (Replacement swing lock Part No. CVS-1160-U1)

E-G – Electro-Galvanised

NOTE:- For a single structure - it is necessary to purchase a pair of side panels separately. For multiple section structures - only 1 pair of side panels are necessary. Each section is complete with a mounting plate, front door and a removable rear panel.

OPTIONS:- Refer EIC for other options shown on page 27. A second door(s) can replace the rear panel if required.

DIMENSIONS

Part No.	Height (HT)	Weight (W)	Depth (DP)
MS2010/50	2000	1000	500
MS2010/60	2000	1000	600
MS2010/80	2000	1000	800

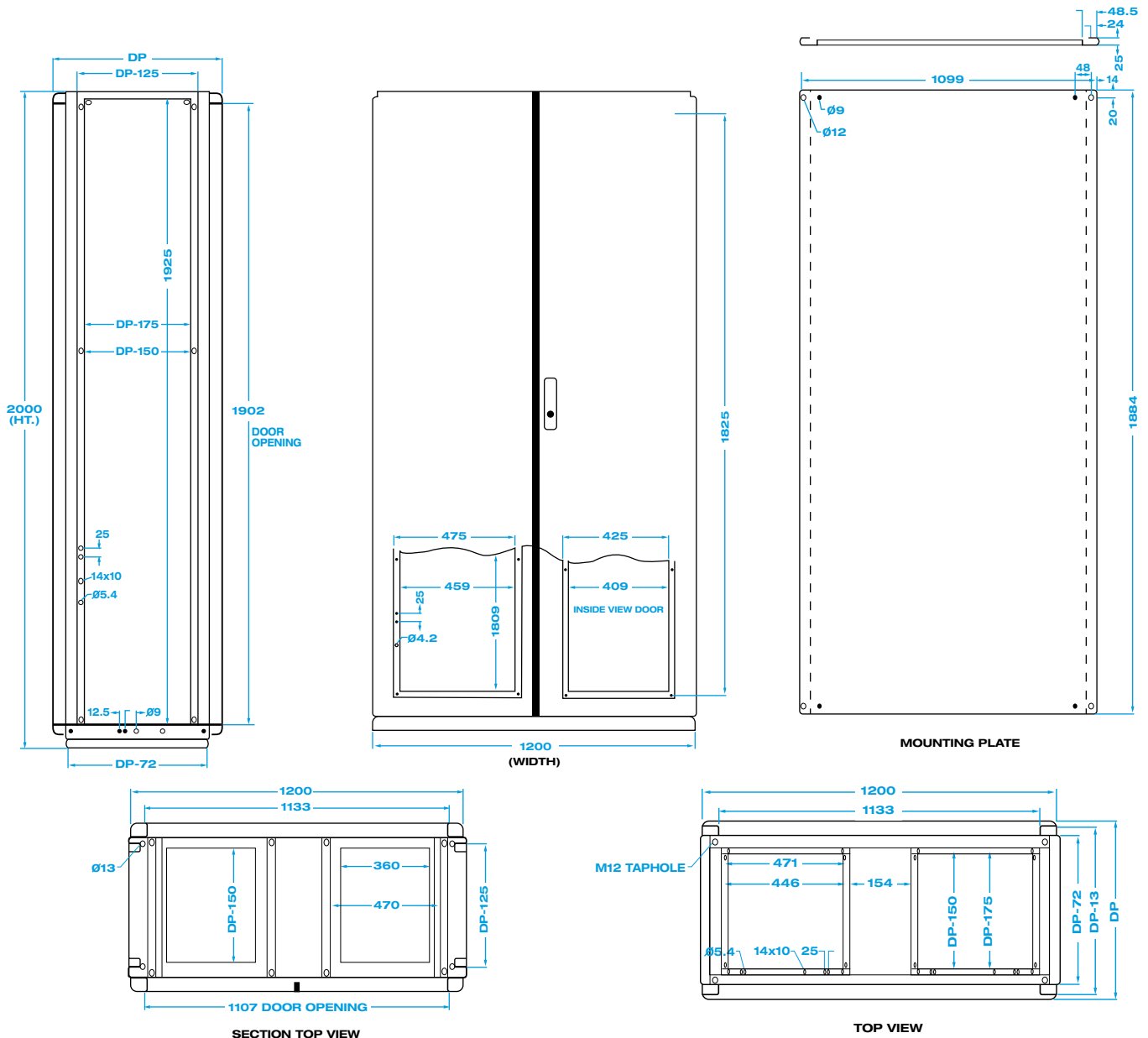
Refer Page 29 for Ordering Information

IP55 (IEC 529)



Modular System MS – 1200mm Wide With 2 front doors and removable back panel

SPECIFICATIONS & DIMENSIONS



SPECIFICATIONS

COMPONENT	MATERIAL	FINISHING
Frame	2.0 mm E-G	RAL 7032 Polyester Powder Coated
Door	2.0 mm E-G	RAL 7032 Polyester Powder Coated
Rear, Side & Top Panel	1.5 mm E-G	RAL 7032 Polyester Powder Coated
Gland Plate	1.5 mm E-G	RAL 7032 Polyester Powder Coated
Mounting Plate	3.0 mm GI	Original finish
Lock c/w Key	Polyamide	Black (Replacement swing lock Part No. CVS-1160-U1)

E-G – Electro-Galvanised

NOTE:- For a single structure - it is necessary to purchase a pair of side panels separately. For multiple section structures - only 1 pair of side panels are necessary. Each section is complete with a mounting plate, front door and a removable rear panel.

OPTIONS:- Refer EIC for other options shown on page 27. A second door(s) can replace the rear panel if required.

DIMENSIONS

Part No.	Height (HT)	Weight (W)	Depth (DP)
MS2012/50	2000	1200	500
MS2012/60	2000	1200	600
MS2012/80	2000	1200	800

Refer Page 29 for Ordering Information

Quality Electrical Components for Industry



CONTACT:

Electrical Importing Company Limited
117A Captain Springs Road, Onehunga 1601
PO Box 13 872, Auckland 1643, New Zealand

Phone: (09) 634 2978
Fax: (09) 634 6819
Email: eic@eic.nz
Website: www.eic.nz