

ROBUS®

LIGHTING CONTROLS

MOTION DETECTOR 180°

150W, IP44



PRODUCT INFORMATION DOCUMENT

FEATURES

- Suitable for surface indoor and outdoor sheltered applications
- Weatherproof housing
- Injection molded ABS body providing high impact resistance
- High load contact rating allows numerous fittings to be switched
- Suitable for loop-in/loop-out to parallel sensor or multiple fittings
- No minimum load requirements
- Manual override facility with automatic reset after 8hrs

CONSTRUCTION

- ABS housing with polycarbonate sensor cover
- Silicone cable entry gasket
- 3 Way screw terminal



WARRANTY



IP RATING



OPERATING VOLTAGE

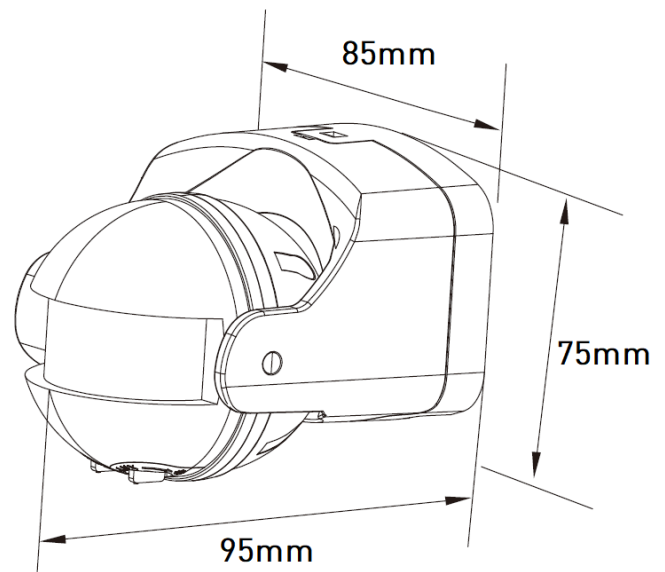
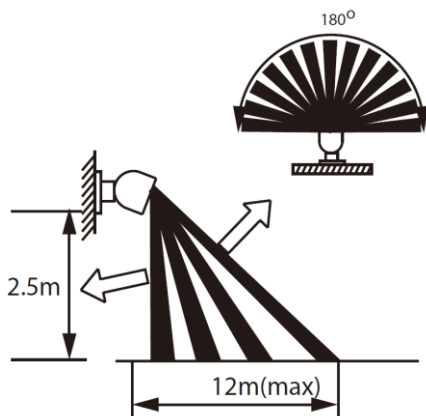


SAFETY CLASS

	L180B-01
Maximum LED Load (W):	150
Holding Times:	10sec to 4min
Lux Switching Levels (lux):	2lx to 2000lx
Detection Angle (deg):	180
Tilt Angle (deg):	90
Detection Zone (m):	12
IP:	44
Operation Temperature (°C)	-5 ≤ Ta ≤ +40
Dimensions LxWxH	95x85x75
Weight (kg):	0.26

Product is certified to all the relevant standards.

Please contact our technical department for market specific compliances.



PLEASE NOTE: INFORMATION IN THIS DOCUMENT MAY BE SUBJECT TO CHANGE WITHOUT PRIOR NOTICE

IRE: TEL: +353 1 709 9000
 UK: TEL: 0800 973 220
 AUS: TEL: +61 7 3890 5444
 NZ: TEL: +64 03 668 5285

WEB: ROBUS.COM
 WEB: ROBUS.COM
 WEB: ROBUS.COM.AU
 WEB: ROBUSLED.CO.NZ

LED GROUP EUROPE · AUSTRALIA · NEW ZEALAND · ASIA · MIDDLE EAST · AFRICA