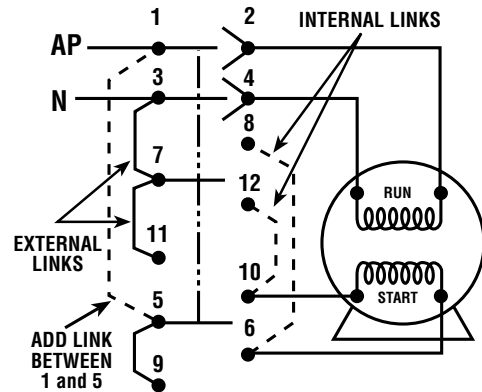


PDL 56 SERIES CHANGEOVER & REVERSING SWITCHES

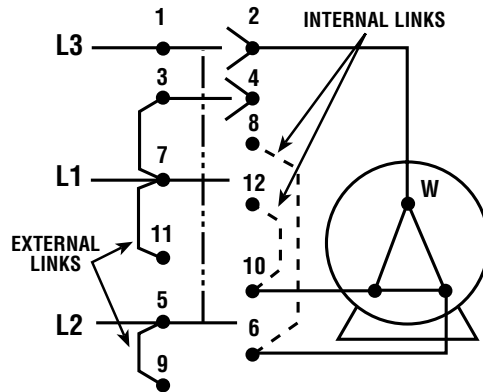
Instructions for 56SW120C/O, 56SW320C/O, 56SW332C/O, 56SW320F/R and 56SW332F/R.

WIRING - REVERSING SWITCH: 56SW320F/R & 56SW332F/R

Single Phase Reversing



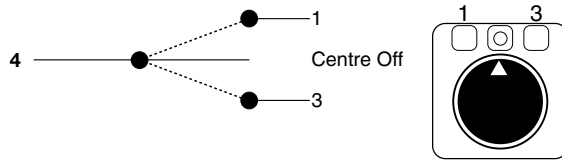
Three Phase Reversing



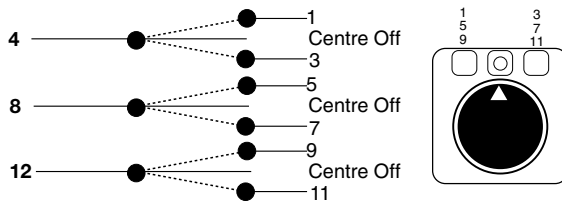
WIRING - CHANGEOVER SWITCHES: 56SW120C/O, 56SW320C/O & 56SW332C/O

LINE LOAD LOAD TERMINALS

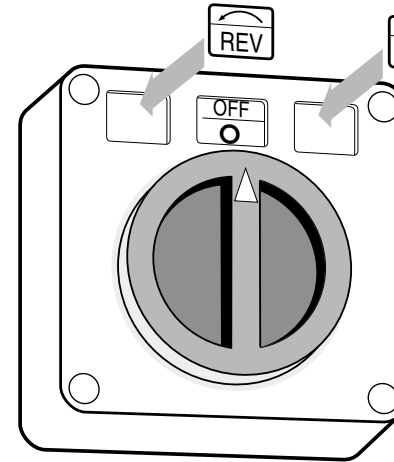
56SW120 C/O
1 Pole Changeover



56SW320 C/O
56SW332C/O
3 Pole Changeover

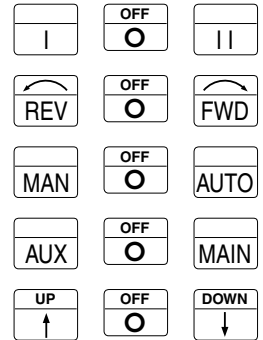


FITTING COVER MARKING LABELS



NOTE:
Before use
affix marking labels
to the cover

Cover options



SPECIFICATIONS

	IEC947/3	20A	32A
Rated Operation Voltage:	Ue	500V~	500V~
Rated Insulation Voltage :	Ui	690V~	690V~
Rated Thermal Current Enclosed:	Ithe	20A	32A
Rated Operational Current:	AC21A 500V Ie	20A	25A

(AC21A switching of resistive loads including moderate overloads)

MOTOR RATING / OPERATIONAL POWER

Switching of motor loads or other highly inductive loads - AC23A

AC23A	3 phase	380-500V	7.5kW (10hp)	11kW (15hp)
	1 phase	220-240V	2.5kW (3.3hp)	3kW (4hp)

Switching of squirrel cage motors - AC3

AC3	3 phase	380-500V	5.5kW (7.5hp)	7.5kW (10hp)
	1 phase <td>220-240V <td>2.2kW (3.0hp) <td>3kW (4hp) </td></td></td>	220-240V <td>2.2kW (3.0hp) <td>3kW (4hp) </td></td>	2.2kW (3.0hp) <td>3kW (4hp) </td>	3kW (4hp)

Terminal Capacities:

Stranded	2 x 2.5mm ²	2 x 4mm ²
Flexible	2 x 2.5mm ²	2 x 4mm ²



New Zealand Head Office: PO Box 15 355, Auckland, New Zealand
Telephone +64-9-829 0490, Fax +64-9-829 0491
www.schneider-electric.co.nz

Australia Head Office: Locked Bag 5500, Baulkham Hills Business Centre,
NSW 2153, Australia
Telephone +61-2-9851 2800, Fax +61-2-9629 8340
www.schneider-electric.com.au

