

COLOUR SELECT

POLO LED G2 BULKHEAD



PRODUCT DETAILS:

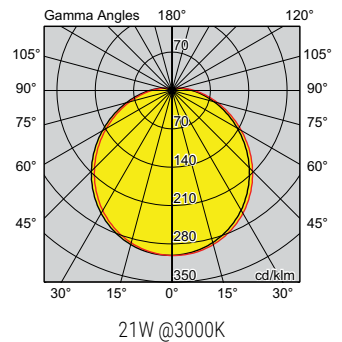
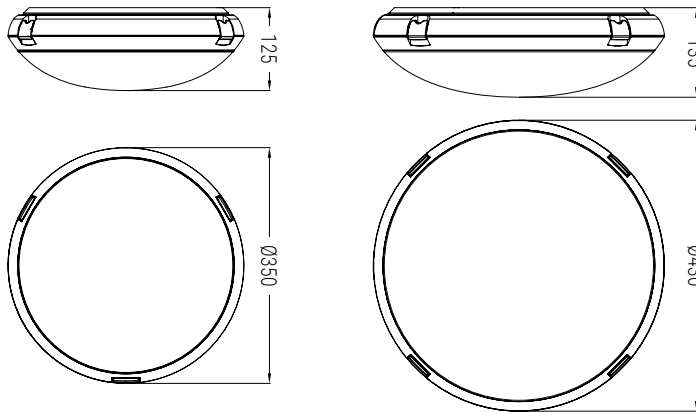
- Size: Ø350, Ø430
- Rated life: L70/B50 60000hrs
- LED: Colour Select via DIP Switch, CCT 3000K/4000K/5700K, CRI>80, 6 SDCM
- Beam angle: Symmetrical, 120°
- Driver: Integral, Non-Dim
- Rating: IP65, IK08, Class II
- Operating temperature: -20°C to +40°C
- Housing: Polycarbonate
- Finishing: White
- Diffuser/Lens: Polycarbonate, Frosted
- Connection: PG9/Ø16mm cable gland
- Emergency: Maintained, Manual test, LiFeP04 battery
- Compliant: AS/NZS2293
- Warranty: 5 year

MADE TO ORDER OPTIONS (lead time and MOQ may apply):

Motion sensor

APPLICATIONS:

Surface mount, Internal, External
Commercial, Industrial, Residential, Apartments



| CODE | DESCRIPTION | POWER [~] | LUMENS [*] | EFFICACY | WEIGHT |
|--------------|---|--------------------|---------------------|----------|--------|
| POLO2-14W | Ø350 14W COLOUR SELECT @3000K CRI>80 NON-DIM | 14W | 1320lm | 94lm/W | 1.5kg |
| POLO2-14W-EM | Ø350 14W COLOUR SELECT @3000K CRI>80 NON-DIM EMGY | 14W | 1320lm | 94lm/W | 1.5kg |
| POLO2-21W | Ø430 21W COLOUR SELECT @3000K CRI>80 NON-DIM | 22W | 2075lm | 94lm/W | 2.0kg |
| POLO2-21W-EM | Ø430 21W COLOUR SELECT @3000K CRI>80 NON-DIM EMGY | 22W | 2075lm | 94lm/W | 2.0kg |

*Delivered lumens from luminaire, including thermal, electrical and optic losses. [~]Tested system powers from luminaire.