

MANROSE
DESIGNER SERIES

GENIUS



SMART *Life Indoors*

FAN6844

Intelligent air movement for a healthy home

- Continuous trickle with Humidity boost automation, or intermittent settings
- Ultra quiet and energy efficient, long-life, brushless DC fan
- Automatic or customised App control settings for installer and home-owner
- Stylish award-winning Swedish design and kit manufacturing
- Humidity, Occupancy and Temperature Sensor Automation, Bluetooth, Timer and Scheduling



Customise to Suit

Multi Room Multi Function

Genius, with its intelligent programming options to meet the demands of a wide range of domestic installations, is ideally suited for a bathroom and kitchen, being set to operate either continuously or intermittently.

Light Sensor

The sophisticated light sensor is triggered by both light movement and shadows and, when enabled, the fan activates when someone's presence is sensed.

A delay-on can also be set so the fan does not activate as a result of incidental light activity such as quick night time visits to the bathroom or the flash of passing car headlights. The sensitivity of the light sensor can be adjusted via the Simx Connect App.

Overrun Timer

The light sensor includes an overrun timer option which only requires a 2-wire electrical connection. Where only a basic fan is presently installed, the home owner can simply upgrade functionality without having to rewire.

Humidistat

Genius features a humidistat which reacts to sudden changes in humidity such as when someone is taking a shower.

When the humidity sensor is activated and the continuous running option selected, the fan runs at 30l/s and then powers down to 10l/s when the humidity returns to normal levels. The sensitivity of the humidity sensor can be adjusted via the Simx Connect App and ambient humidity changes will not trigger the humidistat.

Silent Scheduling and Automatic Cycles

The silent hours scheduling function allows for deactivation of the boost hours scheduling via the Simx Connect App. This would, for example, prevent nuisance noise occurring over night. Additionally, if the house is unoccupied for a period of time, Genius can be set to an airing mode which operates a purge function every 12 hours for either a 30, 60 or 90 minute duration. Genius's sophisticated controls will not allow a purge function to proceed if someone is detected by the light sensor.

Appealing Aesthetics

Genius's sleek modern design will appeal to customers and with noise such a key issue for consumers today, home owners will also be impressed by its very quiet 17 dB(A) operating sound level when on low trickle. It is also easy to clean as the motor unit simply unclips from the fan housing allowing it to be wiped clean with a soft cloth, and at only 4W the energy efficient Genius also boasts low power consumption.



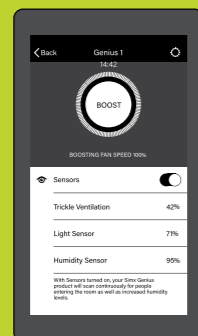
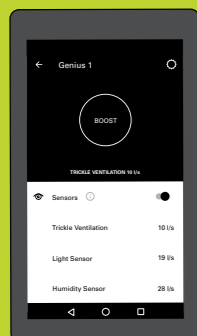
As awarded by
The Chicago Athenaeum:
Museum of Architecture
and Design

Fully Flexible Ventilation Control

The Manrose Genius is the new generation of unitary fans. Following installation home owners automatically have a ventilation system offering a wide range of standard default operating settings.

The big advantage with Genius is, however, that home owners now also have the option to easily customise any settings, via an intuitive App, to best suit their particular indoor air control requirements at any time. For example, should the initial humidity setting be too sensitive, the home owner can simply log on to the Simx Connect App and change the setting themselves.

With the Simx Connect App providing home owners with full control of the fan's operational flexibility, unwanted and costly post installation service calls for fan resetting are a thing of the past.



For electricians, installation is also made simple through the Simx Connect App with their initial set up options being:

- intermittent or continuous ventilation
- humidistat triggered operation or not
- overrun timer required or not

No more fiddly switches and jumpers to worry about!

FAN6844 Kit Components



1 x Genius Fan



1 x Back Draught Shutter

Note – do not install Back Draft Shutter on continuously operating Genius



2 x 100mm Wall Ducts



1 x Exterior Hooded Grille

Technical Specifications

Power	220-240V AC, 50Hz
Motor Type	DC
Fan Speed	- Low Continuous 10 l/s - High Continuous 16 l/s - Boost 30 l/s
Max Watts	4W
Duct Length Supplied	320mm
Sound	17-20 dB(A)
Protection Rating	IP44
Mounting	Ceiling, panel or wall

App Controls



Bluetooth



Occupancy Sensor Automation



Variable Speed



Timer and Scheduling

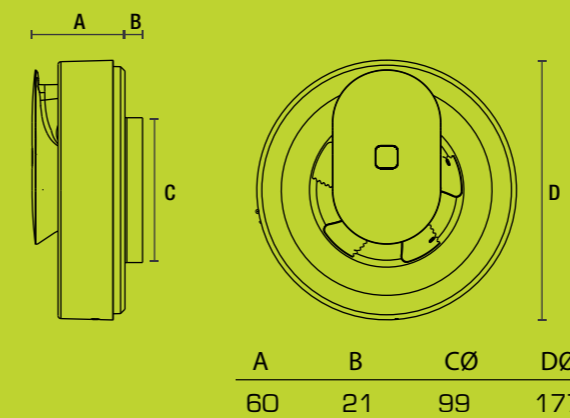


Temperature Sensor Automation

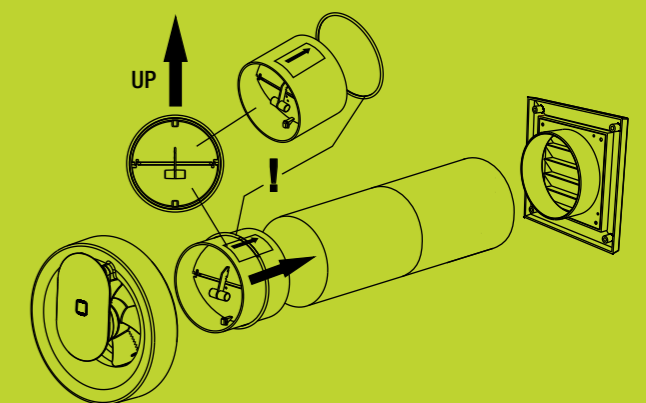


Humidity Sensor Automation

Dimensions (mm)



Assembly



Compliance

For best results, Simx recommend this product for bathrooms.

Once installed, following the instructions supplied, this product meets the Healthy Homes Standard for bathroom and kitchen installations in modern* rental properties when operating on high continuous mode.

This product will also comply with the G4 Building Code for bathrooms.

* See Ministry of Housing & Urban Development provisions.

MANROSE®

DESIGNER SERIES

Manrose leads the market in air movement and air extraction. Developed and designed to meet the specific application needs of the New Zealand market, Manrose fans perform to those exacting standards for the life of the product.

Manrose fans, fan kits and air movement accessories deliver elegance and innovation in reliable and durable solutions everytime.



E6337

Complies with AS/NZS Standards
Specifications are subject to change without notice.