

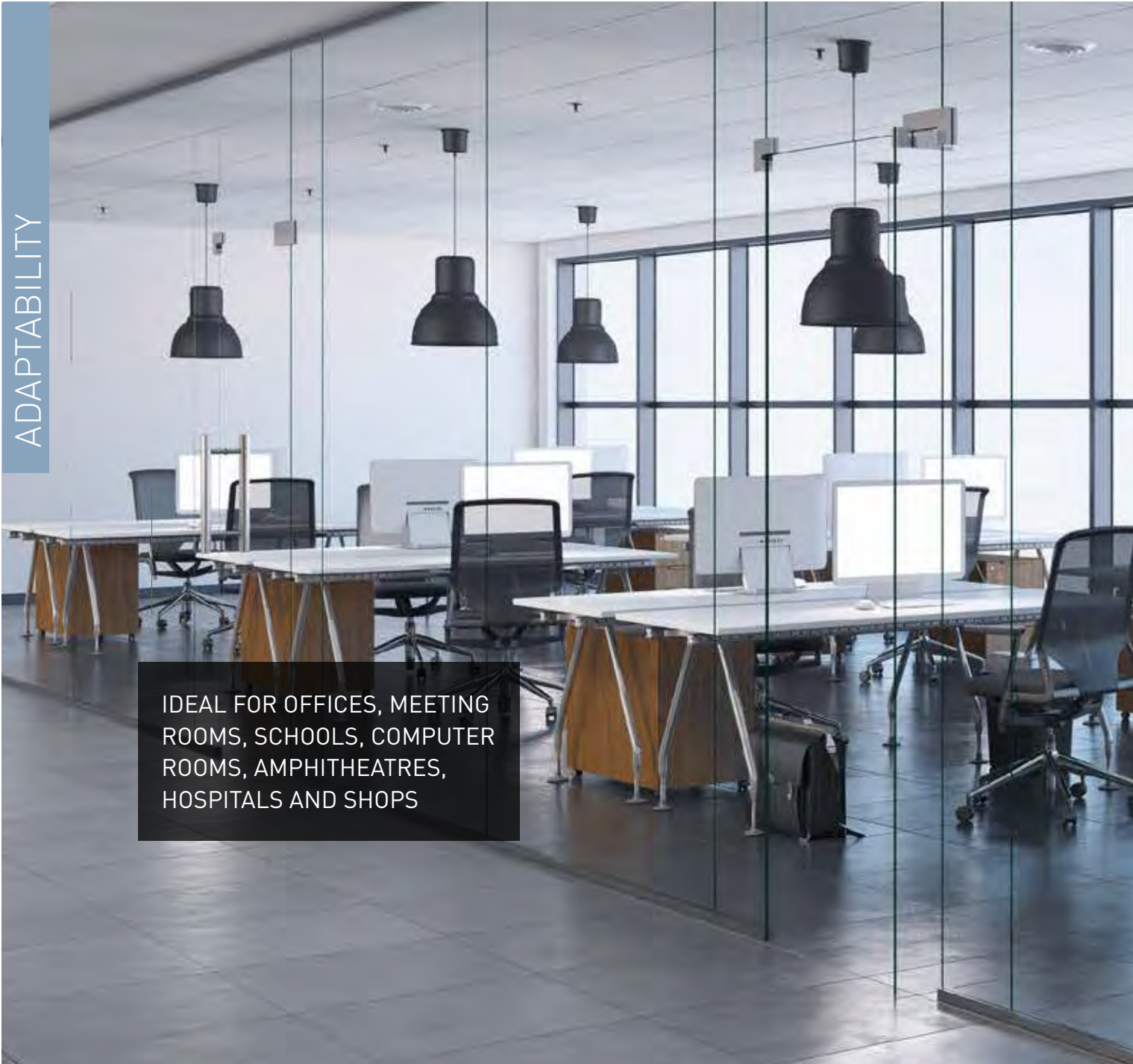
FLOOR BOXES



GLOBAL SPECIALIST
IN ELECTRICAL AND DIGITAL BUILDING INFRASTRUCTURES



ADAPTABILITY



IDEAL FOR OFFICES, MEETING
ROOMS, SCHOOLS, COMPUTER
ROOMS, AMPHITHEATRES,
HOSPITALS AND SHOPS

A TRULY UNIVERSAL RANGE

Adaptability,
modularity
& convenience

Whether you are a design office, architect, project manager or end user, you will be in awe by this new modular range of floor boxes, both attractive and easy to use. Its key features can be summed up in 3 words. They can be integrated in any type of floor (concrete screed or raised floor), in commercial and public buildings.

A LOOK WHICH MATCHES YOUR REQUIREMENTS

Floor boxes integrate seamlessly in any type of floor (concrete screed or raised floor) and can be laid under any type of floor covering. Their attractive finish makes them ideal for numerous different configuration depending on connection requirements and the number of sockets to be equipped.

AESTHETIC APPEARANCE: NUMEROUS POSSIBLE OPTIONS

There are two simple design type with 2 finishes, plastic or stainless steel, to match the floor covering and give the desired final appearance.

TYPES



8 or 16 module box

FINISHES



Plastic ●



Stainless steel ●


STANDARD OR SHALLOW BOX CONFIGURATIONS

Wiring accessories in vertical position



ARTEOR MODULES





DESIGNED WITH USER CONVENIENCE
AND SAFETY IN MIND, THE FLOOR
BOXES INTEGRATE SEAMLESSLY IN
ANY TYPE OF APPLICATION

AN IMPECCABLE FINISH AND EASE OF ACCESS

Convenience
and safety for
unrestricted use

As well as being easy to install, floor boxes are convenient for users, with easily-accessible sockets near their workstation, which are guaranteed safe due to their customised protection.

CONVENIENCE AND SAFETY

SAFE CABLE OUTLETS



Flexible for plastic trims



Stainless steel trim



Cable held in place by guides inside the box



STAINLESS STEEL FINISHING PLATES



Impeccable finish and extra strength

LOCKING ACCESSORIES



Screwdriver lock (only suitable for plastic trims)

EASY TO OPEN
Ergonomic handle or metal button, for unrestricted use

DISCREET AND FLAWLESS INTEGRATION



Stainless steel trim and plate


















Plastic trim

CONFORMING TO
AS/NZS IEC 60670.23

IMPACT RESISTANCE
IK 08 (with cover closed)

FLOOR BOXES SELECTION CHART

FLOOR BOXES FOR RAISED FLOOR	TYPE	FLOOR BOX KIT	LIDS & TRIMS FLOORING THICKNESS ≤ 8 mm	
			 Plastic lid and trim	 Stainless steel lid and trim
 Shallow H min: 50 mm	0 880 70 16 (2 x 8) modules		Supplied with plastic trim as part of the shallow box kit	
	 Standard H min: 83 mm	0 880 23 8 (2 x 4) modules	Plastic	0 880 00
0 880 25 16 (2 x 8) modules		Stainless steel	0 880 03	
		Plastic	0 880 02	
		Stainless steel	0 880 05	
 =  ⊕  or  ⊕				
FLOOR BOXES OR CONCRETE FLOOR	TYPE	FLOOR BOX KIT	BACKBOXES	
				
 Shallow H min: 50 mm	0 880 70 16 (2 x 8) modules		0 880 73	
	 Vertical H min: 68 mm	0 880 23 8 (2 x 4) modules	0 880 90 Auto-adjusting backbox for screen height 65mm-90mm	
0 880 25 16 (2 x 8) modules		0 880 92 Auto-adjusting backbox for screen height 65mm-90mm		
 =  ⊕  or  ⊕				

STAINLESS STEEL PLATES (optional)		INSULATION BOXES		ARTEOR ACCESSORY MODULES (OPTIONAL)
				
0 880 72		0 880 71		 AR787AMWE 2P+E 10A socket (2 module)  572300 RJ 11 socket (1 module)  572171 Single TV star socket (1 module)  571907 F type Pay-TV socket 2.4GHz (1 module)  572302 Cat 6 socket (1 module)  572314 Cat 6 socket (2 module)  572094 USB 3.0 data socket (1 module)  572096 HDMI 1.4 type A socket (1 module)  572097 HD15 VGA socket (1 module)  572273 RCA 3 audio link Female sockets (1 module)  572077 USB Charger: 1 x Type A and 1 x Type C 230V - 5V, 3A, 15W (2 module)  572071 USB Charger: 1 x Type A 230V - 5V, 1.5A, 5.5W (1 module)  572484 USB Charger: 1 x Type C 230V - 5V, 1.5A, 7.5W (1 module)  572341 Blank module (1 module)  572342 Blank module (2 module)
0 880 15		0 880 26		
0 880 45		0 880 26		
0 880 17		0 880 28		
0 880 47		0 880 28		
 Insulation boxes		  Arteor accessories		
LIDS & TRIMS FLOORING THICKNESS ≤ 8 MM		STAINLESS STEEL PLATES (OPTIONAL)		
 Plastic lid and trim		 Stainless steel lid and trim		
		0 880 72		
Supplied with plastic trim as part of the shallow box kit		0 880 72		
Plastic	0 880 00	0 880 15		
Stainless steel	0 880 03	0 880 45		
Plastic	0 880 02	0 880 17		
Stainless steel	0 880 05	0 880 47		
 Auto-adjusting backbox		  Arteor accessories		

Floor boxes and accessories



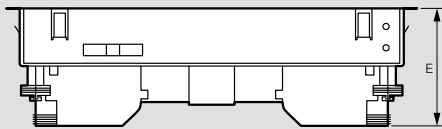
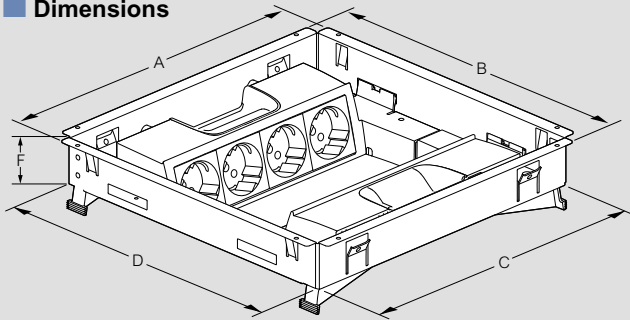
Pack	Cat.Nos	Standard floor box kit	Pack	Cat.No	Shallow floor box kit
1	0 880 23	8 (2 x 4) modules	1	0 880 70	Shallow 16 (2 x 8) modules, supplied complete with plastic trim.
1	0 880 25	16 (2 x 8) modules			
		Lids and trims			Concrete back box for shallow versions
		Plastic	1	0 880 73	Backbox for shallow concrete floor (for 088070)
1	0 880 00	For 8 module standard floor box (088023)	1	0 880 71	Electrical insulation kits
1	0 880 02	For 16 module standard floor box (088025)	1	0 880 72	Insulation box for raised floors (for 088070)
		Metal lids and trims with stainless steel coating			Stainless steel plate (optional)
1	0 880 03	8/12 modules - Cat.Nos 0 880 20/23/39	1	0 880 72	For shallow floor box Cat.No 0 880 70
1	0 880 05	16/24 modules - Cat.Nos 0 880 22/25/41			
		Stainless steel plate (optional)			
1	0 880 15	For 8 module standard floor box plastic Lid and trim (088000)			
1	0 880 17	For 16 module standard floor box plastic lid and trim (088017)			
1	0 880 45	For 8 module standard floor box stainless steel lid and trim (088003)			
1	0 880 47	For 16 module standard floor box stainless steel lid and trim (088005)			
		Electrical insulation kits			
1	0 880 26	Only required for raised floor installations For 8 module standard floor box (088023)			
1	0 880 28	For 16 module standard floor box (088025)			
		Concrete back box for Standard versions			
1	0 880 90	Backbox for 8 module standard box (for 088023)			
1	0 880 92	Backbox for 16 module standard box (for 088025)			
		Accessories			
1	0 880 99	Screw driver locking accessory for standard floor box with plastic lid and trim			
1	0 880 95	Additional 4 clamp fixing kit for use with standard floor box (088023 or 088025) used for raised floor installations			

Standard and shallow floor boxes

technical characteristics

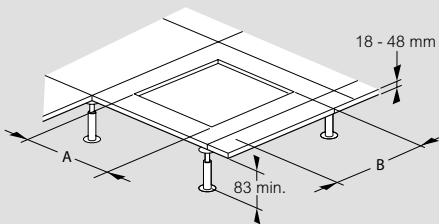
STANDARD VERSION

■ Dimensions



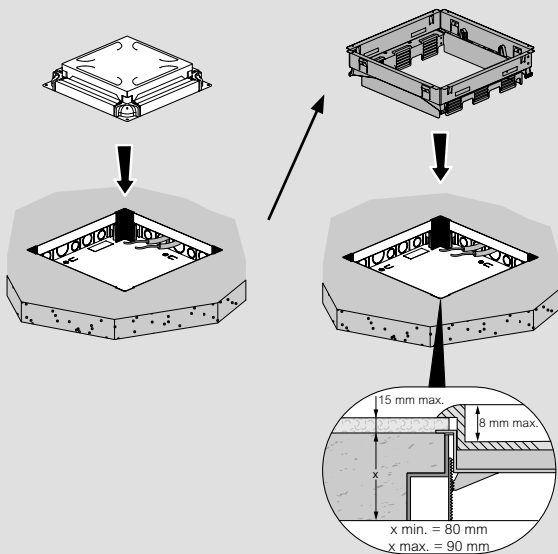
Cat.No	A (mm)	B (mm)	C (mm)	D (mm)	E (mm)	F (mm)
0 880 23	199	282	181	264	81	67
0 880 25	282		264			

■ For installation in raised floor



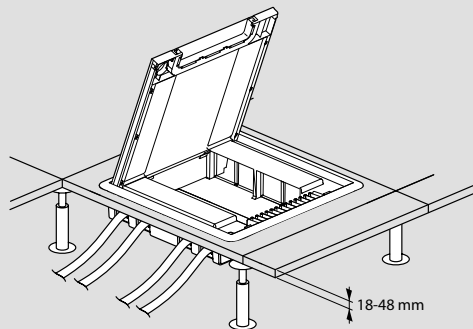
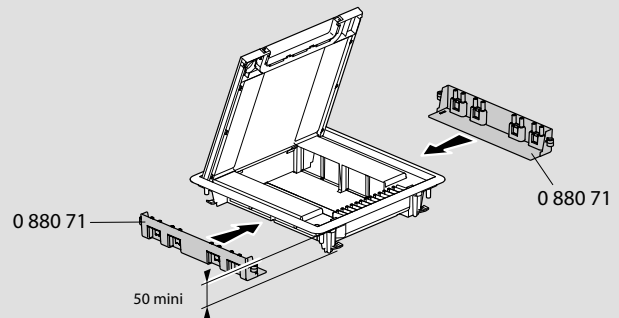
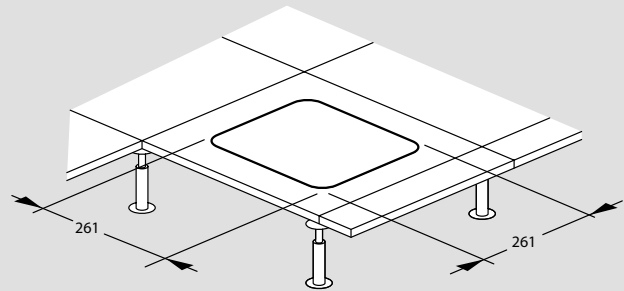
Cat.No	A (mm)	B (mm)
0 880 23	181	264
0 880 25	264	

■ For installation in concrete

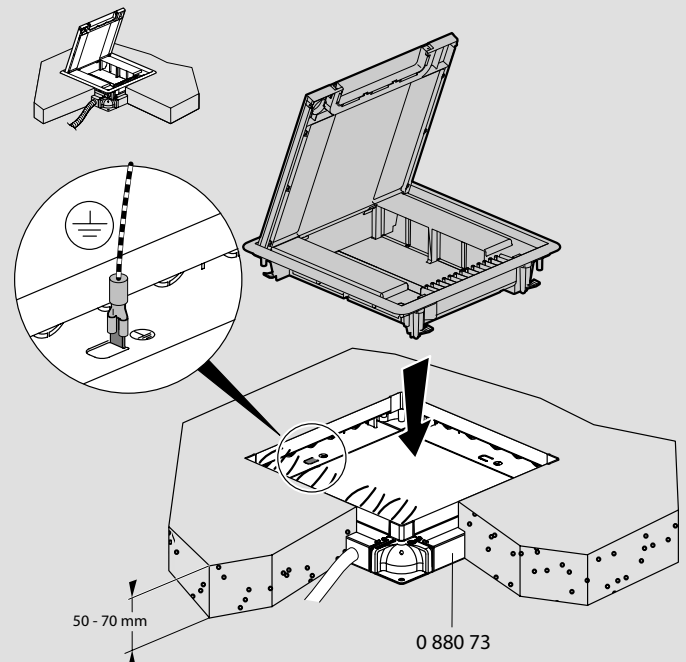


SHALLOW VERSION

■ For installation in raised floor



■ For installation in concrete

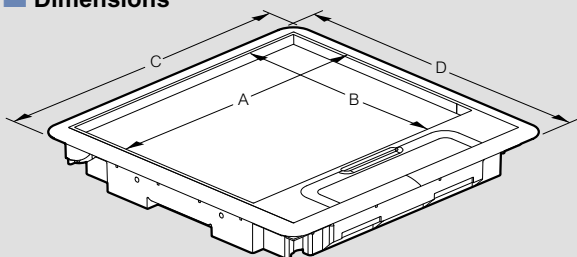


Standard version floor boxes - metal lid and trim and finishing plate

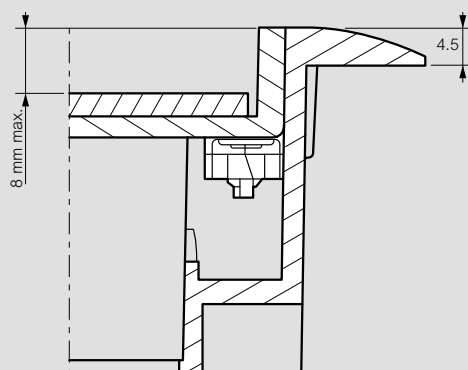
technical characteristics

PLASTIC LIDS AND TRIMS FOR STANDARD FLOOR BOXES

■ Dimensions

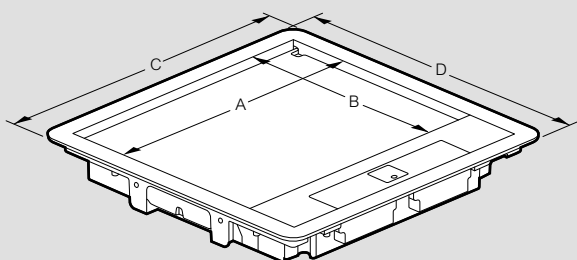


Cat.No	A (mm)	B (mm)	C (mm)	D (mm)
0 880 00	245	117	286	203
0 880 02		200		286

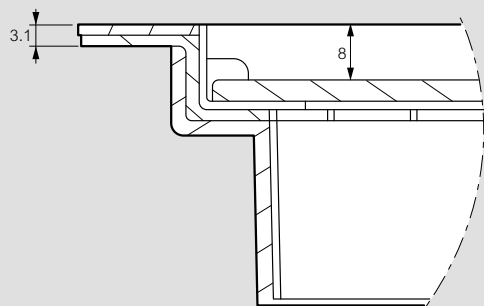


STAINLESS STEEL LID AND TRIM FOR STANDARD FLOOR BOXES

■ Dimensions

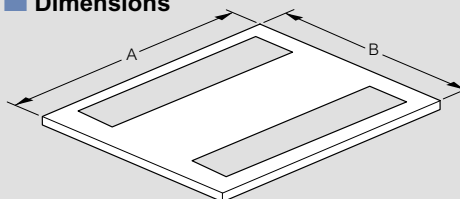


Cat.No	A (mm)	B (mm)	C (mm)	D (mm)
0 880 03/06	250	118	286	203
0 880 05/08		200		286

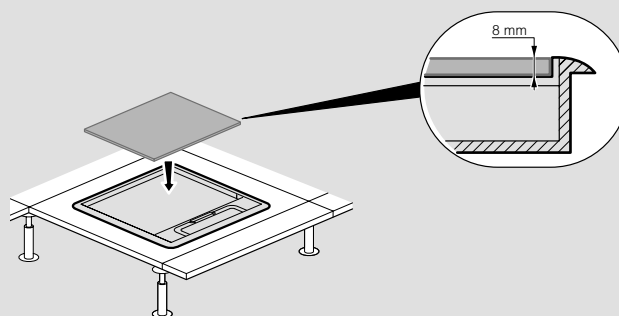


STAINLESS STEEL FINISHING PLATE FOR PLASTIC LIDS AND TRIMS

■ Dimensions

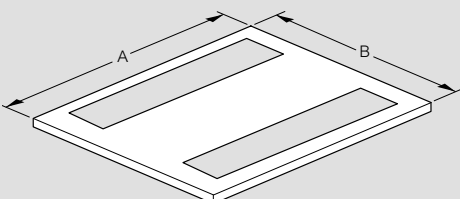


Cat.No	A (mm)	B (mm)
0 880 15	244	116
0 880 17		199

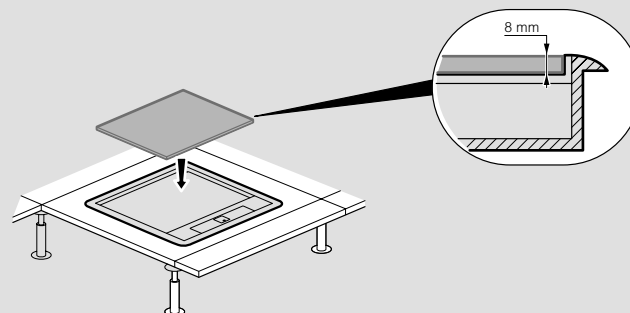


STAINLESS STEEL FINISHING PLATE FOR STAINLESS STEEL LIDS AND TRIMS

■ Dimensions



Cat.No	A (mm)	B (mm)
0 880 45	248	116
0 880 47		199





Legrand Australia

Building 4, Nexus Industry Park
43-47 Lyn Parade, Prestons NSW 2170
Tel.: 1300 369 777
www.legrand.com.au

Legrand New Zealand

106-124 Target Road
Glenfield, Auckland 0627
Tel.: 0800 476 009
www.legrand.co.nz