

ROBUS®

HILUME LED FLOOD LIGHT WITH PIR, IP65, 4000K, BLACK, C/W 1M FLEX

**RHL1040P-04 RHL2040P-04
RHL3040P-04 RHL5040P-04**

PLEASE READ INSTRUCTION BEFORE COMMENCING INSTALLATION AND RETAIN FOR FUTURE REFERENCES.

! Electrical products can cause death or injury, or damage to property. If in any doubt about the installation or use of this product, consult a competent electrician

Note:

Product technical information and specification may change over time without prior notification. For the latest technical information please visit our web site www.robus.com.au

-20°C < Ta < +40°C, 220-240V ~ 50/60Hz, Class I, IP65
Luminaire is non-dimmable

Installation

1. Ensure mains supply is switched off before commencing work.
2. Select suitable location for luminaire.
3. Mark wall with appropriate fixing positions. Before drilling, ensure that the hole does not impinge on pipe work, cables or other building services.
4. Attach luminaire and fix bracket by tighten screws, then adjust to desired angle. Ensure that it is secure.
5. The luminaire is supplied with 1m of rubber cable. Using suitable IP rated enclosure terminate Brown (Live), Blue (Neutral) and Green/Yellow (Earth) to switch supply.
6. This product has no user serviceable parts. If any part is damaged, disconnect from mains and discontinue use.

Note: No "fixings screws provided", please use appropriate fixing screws.

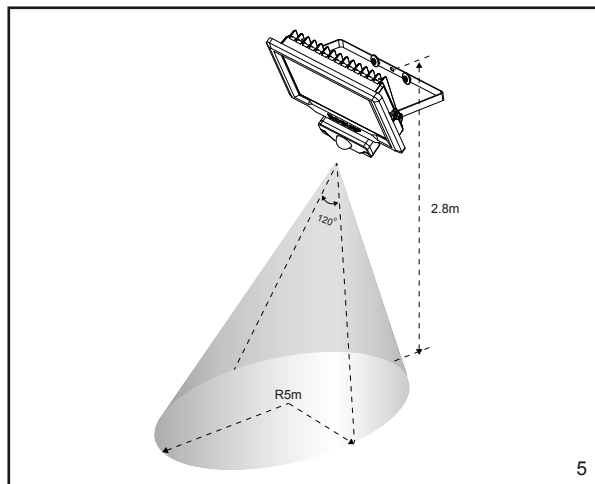
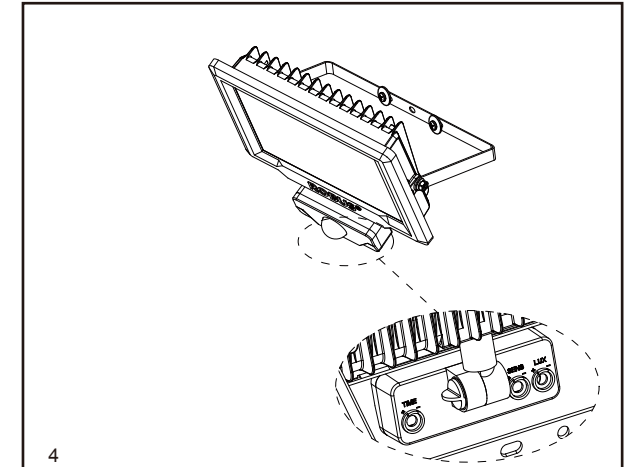
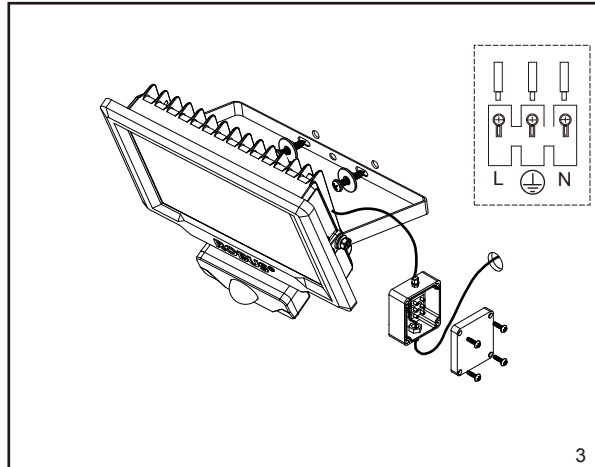
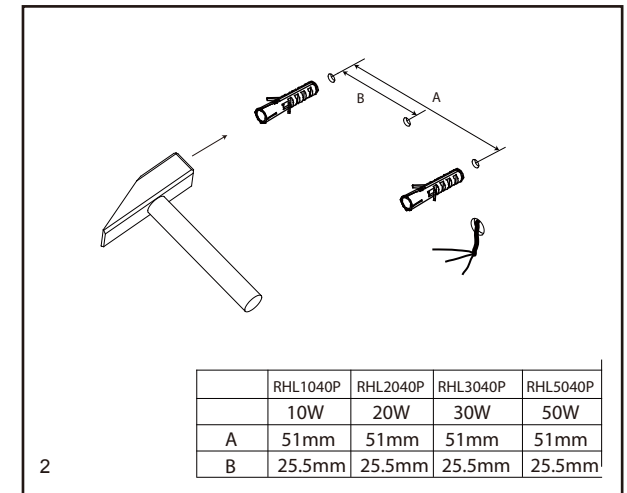
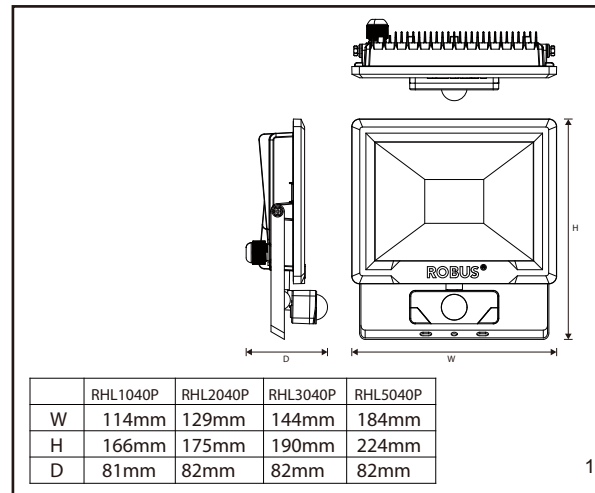
Walk testing can then be carried out to determine detection area with slow walking pace. Set time to minimum, lux and detection control to maximum. Once detector function has been established, change controls to desired levels. When the sensor detects movement (Detection angle 120°, Detection distance max 10m), the fitting will be switched on for the pre-set time. To increase on time, turn time control towards +. Time delay range: from 10 seconds to 10 minutes. Daylight control range: 2 - 2000 Lux.

Note: Once sensor has been triggered, subsequent detection restarts timing period from beginning, so light stays on until set time elapses after last triggering.

Manual Override:

It is possible to turn the sensor "On" for 8 hours by 3 "ON" operations of the external switch within 3 seconds. It is possible to turn the sensor back to AUTO mode (normal mode) by turn the fitting off for 10 seconds or more

The Installation must be carried out by a qualified electrician



LED Group Australasia
9/210 Queensport Road North
Murarrie
QLD 4172
Australia

Tel: 07 3890 5444
Fax: 07 3890 4777
Email: purchases@robus.com
Website: www.robus.com.au

LED Group
Crowe Hogwarth
72 Trafalgar Square
NELSON 7010
New Zealand

Tel: +64 0508 533 335
Email: nz_purchases@robus.com
Website: www.robusled.co.nz

