

Technical Data Sheet

WEISS™

FV663

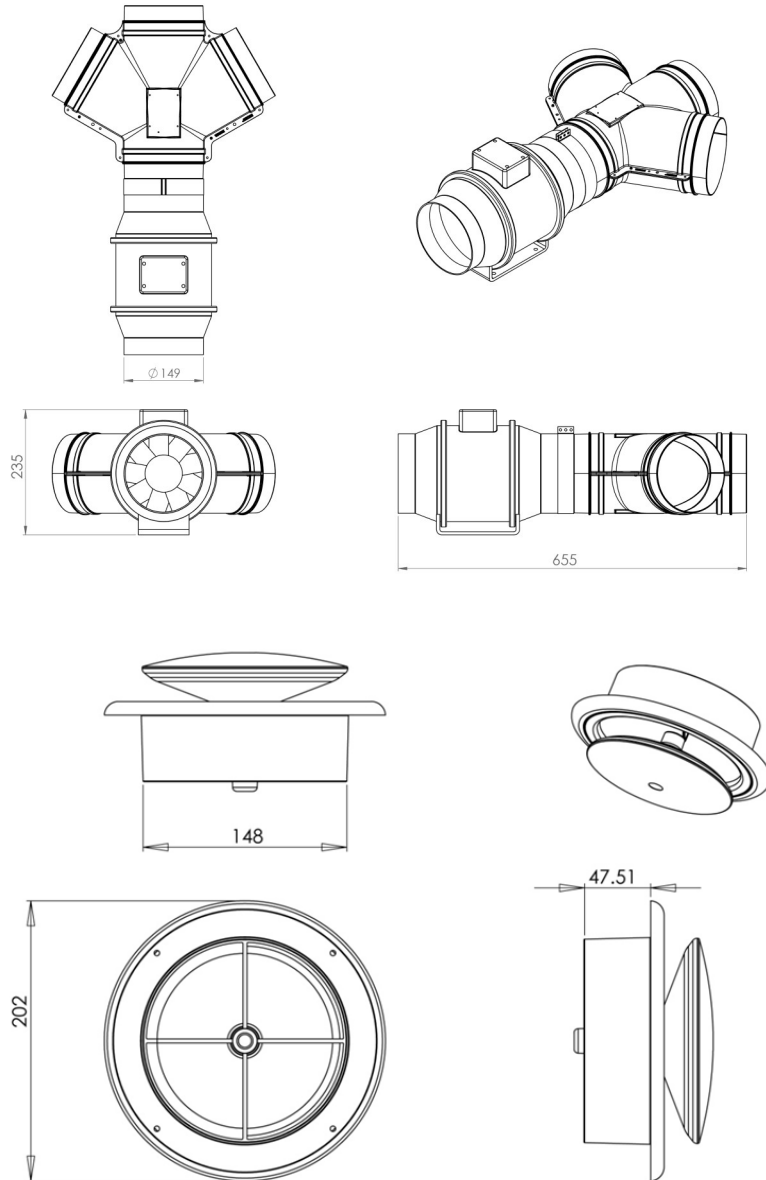
3 Room Heat Transfer

with Thermostat

Dimensions

Cut-out size for inlet fascia 155mm

Cut out size for outlet fascia 155mm



Specifications

Weight	10.8kg
Colour of front fascia	White
Housing material	FR ABS

Approval

AS/NZS 603350.2.80:2004 Amdt 1 "Electrical Fan"

Features

- Easy to install
- 15 metres of 150mm insulated ducting supplied
- Unique 'no fuss' all in one unit
- Digital Thermostat included
- Allows warmth to be moved around your home
- Effective temperature control for your home
- All parts are included
- 3 year extended warranty
- 7 year motor warranty

Technical Data Sheet

Product Use

The FV663 is used for the transfer of heat

Typical applications:

- Bedrooms
- Lounges
- Living areas

Environmental Conditions

Operation	to IEC 721-3-3
Climatic conditions	class 3K5
Temperature	0...+50°C
Humidity	<95% r.h.

Standards

Test standards	AS/NZS 603350.2.80: 2004 Amdt 1 "Electrical Fan"
Test Report no	5772
EMC Compliance	This is a Level One product with an External rotor motor that has a very low risk of causing EMC Interference

General

Free Air Fan Performance	460m ³ /hr 127.8sec
Installed decibel rating	46DB

Ordering

When ordering please give name and type,	
Reference	FV663
Barcode	942000490268-0

Technical Data

Power Supply	230 VAC
Power consumption	max. 0.6Amps
Supply Line fusing	max. 10A
For solid wires	2 x 1.5mm ²
Motor	230-240VAC 50Hz 0.6 Amp
Motor insulation class	B
Total motor wattage	54Watts
Motor protection	thermally protected