

ROBUS®

INDUSTRIAL

NOVA Slim High Bay IP65

Fixed

Selectable

150W

100W

150W

200W



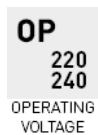
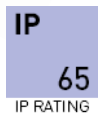
PRODUCT INFORMATION DOCUMENT

FEATURES

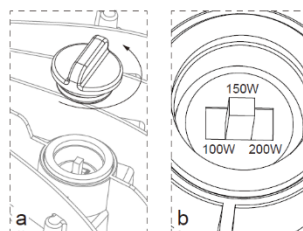
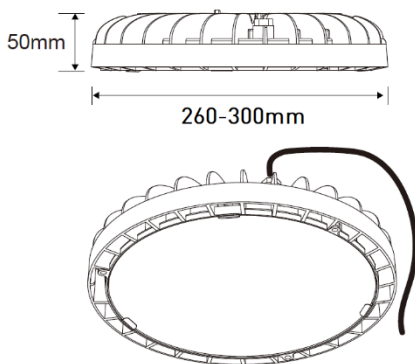
- Fixed 150W and Wattage Selectable version
- Full range to replace traditional metal halide luminaires, up to 400W
- Slim and lightweight design
- High impact protection rating of IK07
- Wide operating ambient temperature range
- Suitable for switching by PIR, Microwave or Photocell
- Prewired with 2m rubber flex cable and AU plug

CONSTRUCTION

- Die cast aluminium body
- Hardened glass
- Stainless steel mounting eye
- Stainless steel screws and fixings



	RNV1550-04	RNVX50-04
Comparable to:	300W Metal Halide	200-400W Metal Halide
Total Power (W):	147.7	97.5/141.5/189.4
Total Light Output (lm):	18610	13540/18850/24020
Total Emergency Light Output (lm):	NA	NA
Efficacy (lm/cctW):	126	138/133/127
Lux at 1m (lux):	6790	4840/6760/8600
Emergency Lux at 1m (lux):	NA	NA
IP:	65	65
Operation Temperature (°C)	-20 ≤ Ta ≤ +45	-20 ≤ Ta ≤ +45
Inrush Current:	1.3A/0.4us	7.2A/10us
CCT (K):	5000	5000
RG Value:	0	0
Rated Life to L70B50 (Hrs):	30000	30000
Dimensions HxØ	50x260	50x300
Weight (kg):	1.5	1.9



RNVX50-04

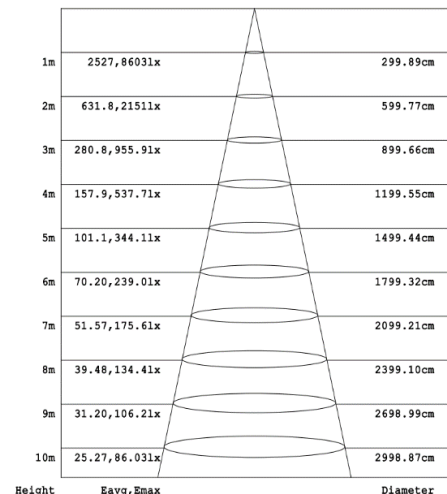


Diagram for RNVX50-04 in 200W, 5000K. Other diagrams available on request

Product is certified to all the relevant standards.
Please contact our technical department for market specific compliances.

PLEASE NOTE: INFORMATION IN THIS DOCUMENT MAY BE SUBJECT TO CHANGE WITHOUT PRIOR NOTICE

IRE: TEL: +353 1 709 9000
UK: TEL: 0800 973 220
AUS: TEL: +61 7 3890 5444
NZ: TEL: +64 03 668 5285

WEB: ROBUS.COM
WEB: ROBUS.COM
WEB: ROBUS.COM.AU
WEB: ROBUSED.CO.NZ

LED GROUP EUROPE · AUSTRALIA · NEW ZEALAND · ASIA · MIDDLE EAST · AFRICA