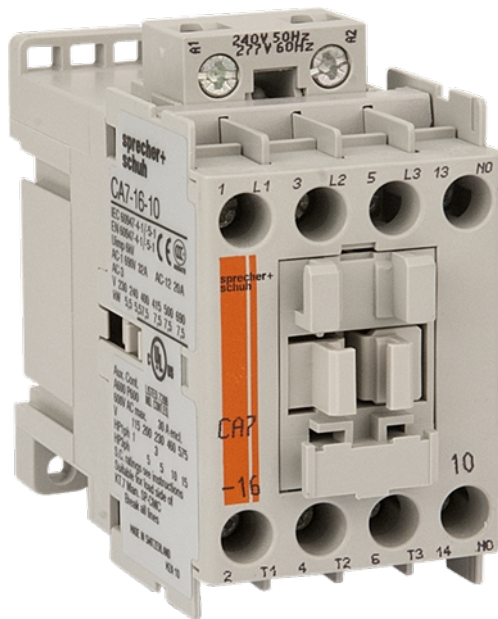


Catalogue No: **CA7-16-10-240VAC**  
**CONTACTOR 7.5kW 3P 240V AC COIL 1NO AUXILIARY**

Motor Control and Drives > Motor Starting and Protection > Contactors > Sprecher + Schuh Contactors > CA7 Contactors 4 to 55kW > 3 Pole Contactors with AC Coil



Contactor 3 pole 16A 7.5kW 1N/O Auxiliary 240V AC Coil

- Available in AC or DC control coil versions to suit your application requirements
- Common accessories across CA7 contactors simplifies inventory requirements and maximises usability
- Reversible (line or load side) coil terminations provides total flexibility
- DIN rail mountable for easy installation

Representative Photo Only  
 (actual product may vary based on configuration selections)

**SPECIFICATIONS**

Product Series	CA7-16
Component Type	Motor Control and Drives
Standard Component	Standard Contactor
le, Rated Operational Current, AC-1, 415V, 40°C	32 A@415V,40°C
kW Rating, AC-3, 415V, 60°C	7.5 kW @415V, 60°C
le, Rated Operational Current, AC-3, 415V, 60°C	16 A@415V,60°C
kW Rating, AC-3, 690V, 60°C	7.5 kW @690V, 60°C
le, Rated Operational Current, AC-3, 690V, 60°C	9 A@690V,60°C
Number of Poles	3
Contact Configuration, Main Poles	3 NO main poles
Contact Configuration, Auxiliary	1 NO auxiliary
Coil Type	Conventional type
Coil Consumption Hold-in VA AC coiled contactors	2.7 VA 9.5
Coil Consumption Pickup VA AC coiled contactors	75 VA
Integrated Aux	1 N/O
Coil Voltage	240 V AC V
Un, Coil Voltage, AC @50Hz, Nom	240 V AC nom @50Hz
Un, Coil Voltage, AC @50Hz, Min	204 V AC min @50Hz
Un, Coil Voltage, AC @50Hz, Max	264 V AC max @50Hz
Un, Coil Voltage, AC @60Hz, Nom	277 V AC nom @60Hz
Un, Coil Voltage, AC @60Hz, Min	235 V AC min @60Hz
Un, Coil Voltage, AC @60Hz, Max	304 V AC max @60Hz
Tightening Torque, Power Terminals, max	2 Nm max
IP Rating	IP20

# Catalogue No: CA7-16-10-240VAC

## CONTACTOR 7.5kW 3P 240V AC COIL 1NO AUXILIARY

Motor Control and Drives > Motor Starting and Protection > Contactors > Sprecher + Schuh Contactors > CA7 Contactors 4 to 55kW > 3 Pole Contactors with AC Coil



### REFERENCES

IECEX Certificate -

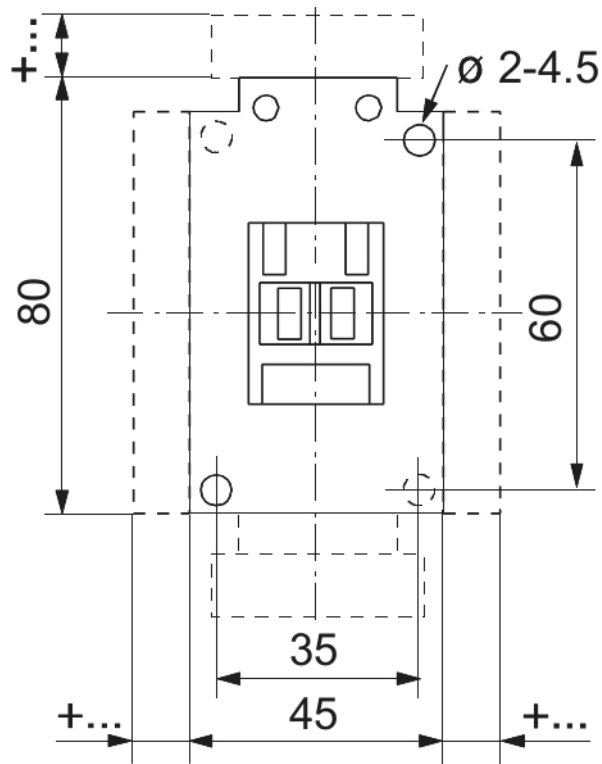
Supplier Declaration of Conformity: -

Installation Guide: -

User Manual: -

Manufacturer Datasheet: -

Manufacturer Catalogue & Product Selection: -



Dimension Diagram

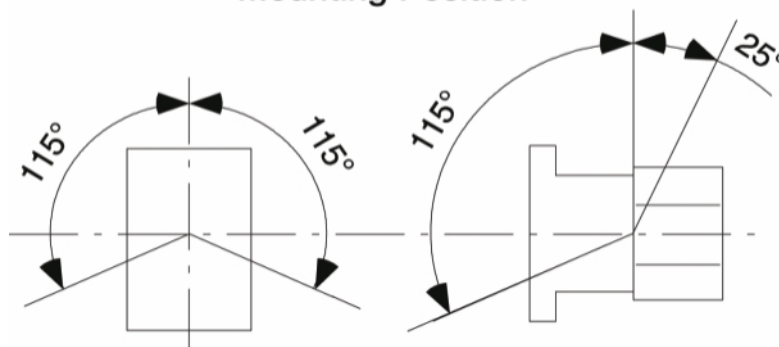
Catalogue No: **CA7-16-10-240VAC**

**CONTACTOR 7.5kW 3P 240V AC COIL 1NO AUXILIARY**

Motor Control and Drives > Motor Starting and Protection > Contactors > Sprecher + Schuh Contactors > CA7 Contactors 4 to 55kW > 3 Pole Contactors with AC Coil



**Mounting Position**



Technical Diagram