

## Description

ROBINHOOD CURVED GLASS CANOPY RANGEHOOD 60CM  
**RWK3CL6G**



## Key Features

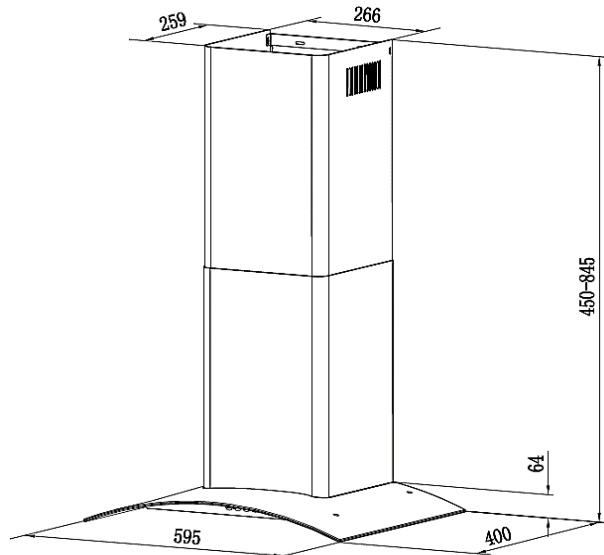
**Max Motor Performance**  
 550 m3/hr

**Power Levels**  
 3

**Control Type**  
 Push Buttons

**Lighting**  
 2 x 1.5W LED

**Venting Type**  
 Ducted or recirculated



Dated: 29/03/2022

## Specifications

<b>Finish/Color</b>	Stainless Steel & Tempered Glass
<b>Voltage</b>	220~240v
<b>Frequency</b>	50~60Hz
<b>Motor Power</b>	100W
<b>Motor Housing &amp; Blower</b>	Plastic motor housing with plastic blower
<b>Lighting/Colour Temperature</b>	2 x 1.5W square LED light / 6000K
<b>Total Power</b>	103W
<b>Control Type</b>	Push buttons
<b>Power Levels</b>	3
<b>Filter</b>	1 x S/S decorative filter
<b>Activated Charcoal Filter</b>	Optional (RHRWKCF506)
<b>No Return Valve</b>	Included
<b>Ducting Outlet Diameter</b>	Ø150mm
<b>Power Cord Length</b>	1.5M
<b>Chimney Height (Upper+Lower)</b>	400+400mm
<b>Chimney Extension (Upper)</b>	Optional (RHRWK3CL27, 700mm)
<b>Product Dimensions (WxDxH)</b>	595x400x(450-845)mm
<b>Carton Dimensions (WxDxH)</b>	635x333x440mm
<b>Gross/Net Weight</b>	11/9.5 Kg

Air Flow & Noise Level*		
Power Level	Air Flow (m <sup>3</sup> /hr) (IEC 61591)	Noise Level (dB) (IEC 60704-2-13)
1	288	52
2	369	56
3	451	62

\*Air Flow & Noise Level testing is conducted in a controlled lab environment as per the IEC standards.