

### Fixed Grille



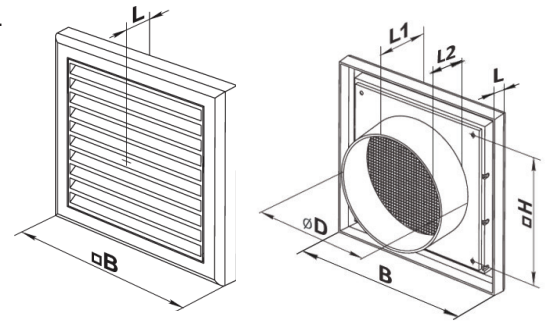
### Fixed Grille

**Application**

- For supply and exhaust ventilation.
- Wall or ceiling mount.
- Internal or external mounting.

**Design**

- Made of quality durable plastic.
- Two piece structure.



ESC Code	B	H	L	L1	L2	Flange (OD)
VFG100	140	140	15	47	32	100
VFG125	174	174	15	47	32	125
VFG150	174	174	15	47	32	150
VFG200	250	215	12	43	30	200

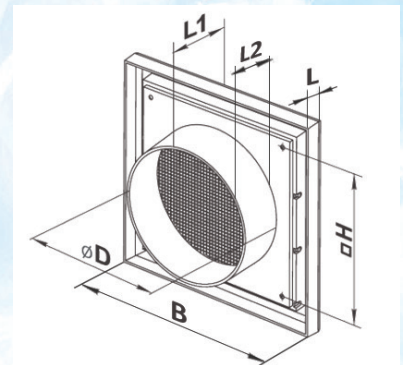
### Eggcrate Grille



### Eggcrate Grille

**Application**

- For exhaust ventilation.
- Ceiling mount.
- External or internal mounting



ESC Code	B	H	L	L1	L2	Flange (OD)
EG100	140	140	15	47	32	100
EG125	174	174	15	47	32	125
EG150	174	174	15	47	32	150

### Round Grille



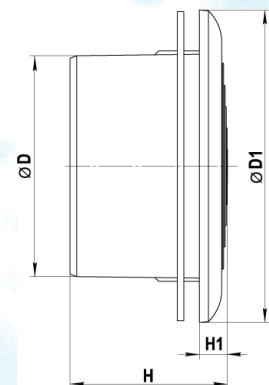
### Round Grille

**Application**

- For supply and exhaust ventilation.
- Wall or ceiling mount.
- Internal or external mounting.

**Design**

- Made of quality durable plastic.
- Two piece structure.
- Complete with mounting clips



ESC Code	ØD1	H	L	H1	L2	Flange (OD)
VRG100	141	141	-	12.5	-	100
VRG125	166	166	-	14	-	125
VRG150	188	188	-	15	-	150